

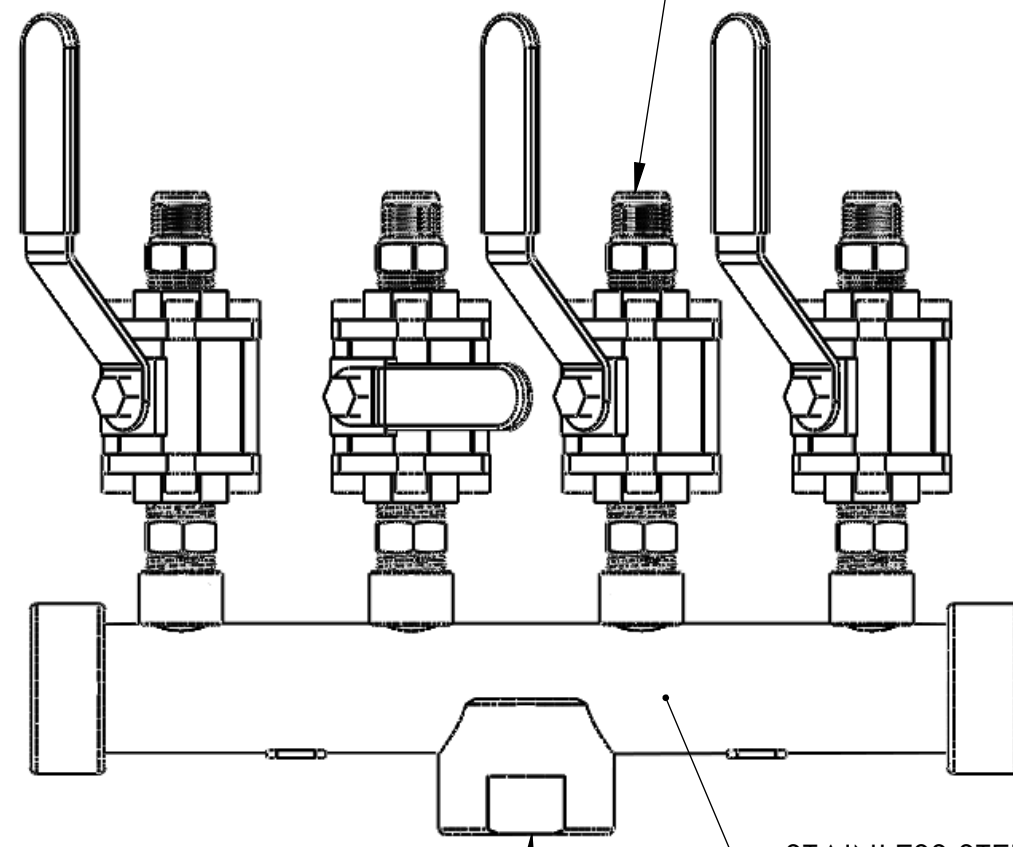
MOUNTING TABS PROVIDED FOR ADDITIONAL SUPPORT (AS REQUIRED)

2 1/2"

12 7/8" APPROXIMATE

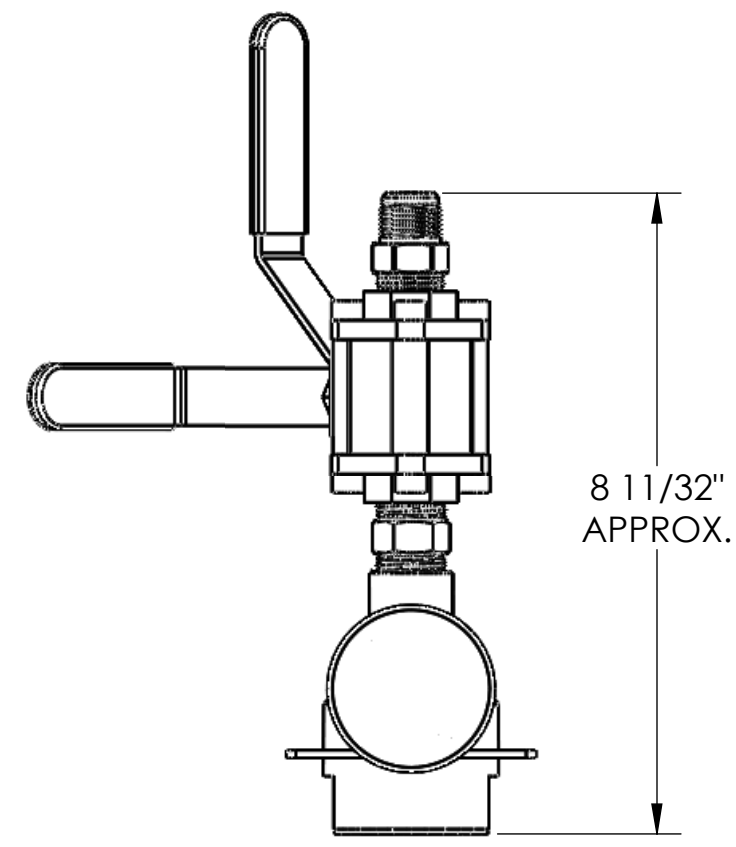
6"

4X 1/2" FULL PORT BALL VALVES, SS BALL, CARBON STEEL BODY WITH 1/2" (#8) JIC STEEL FITTINGS INSTALLED

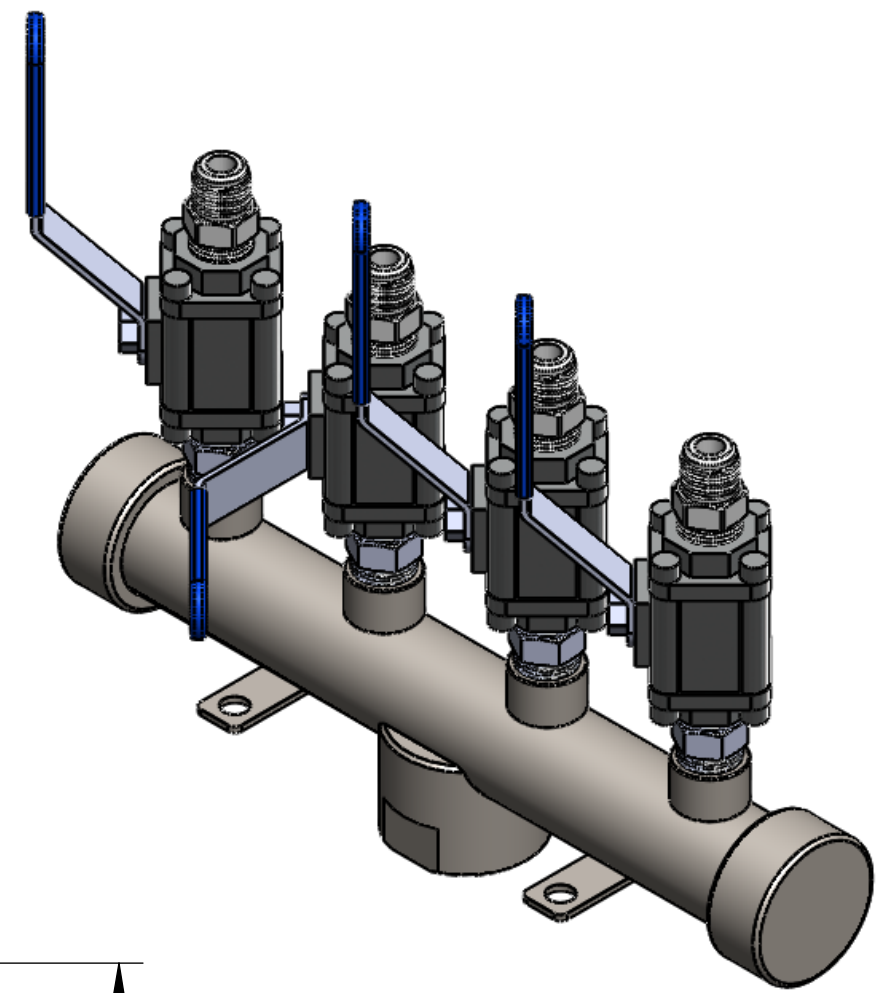


STAINLESS STEEL MANIFOLD

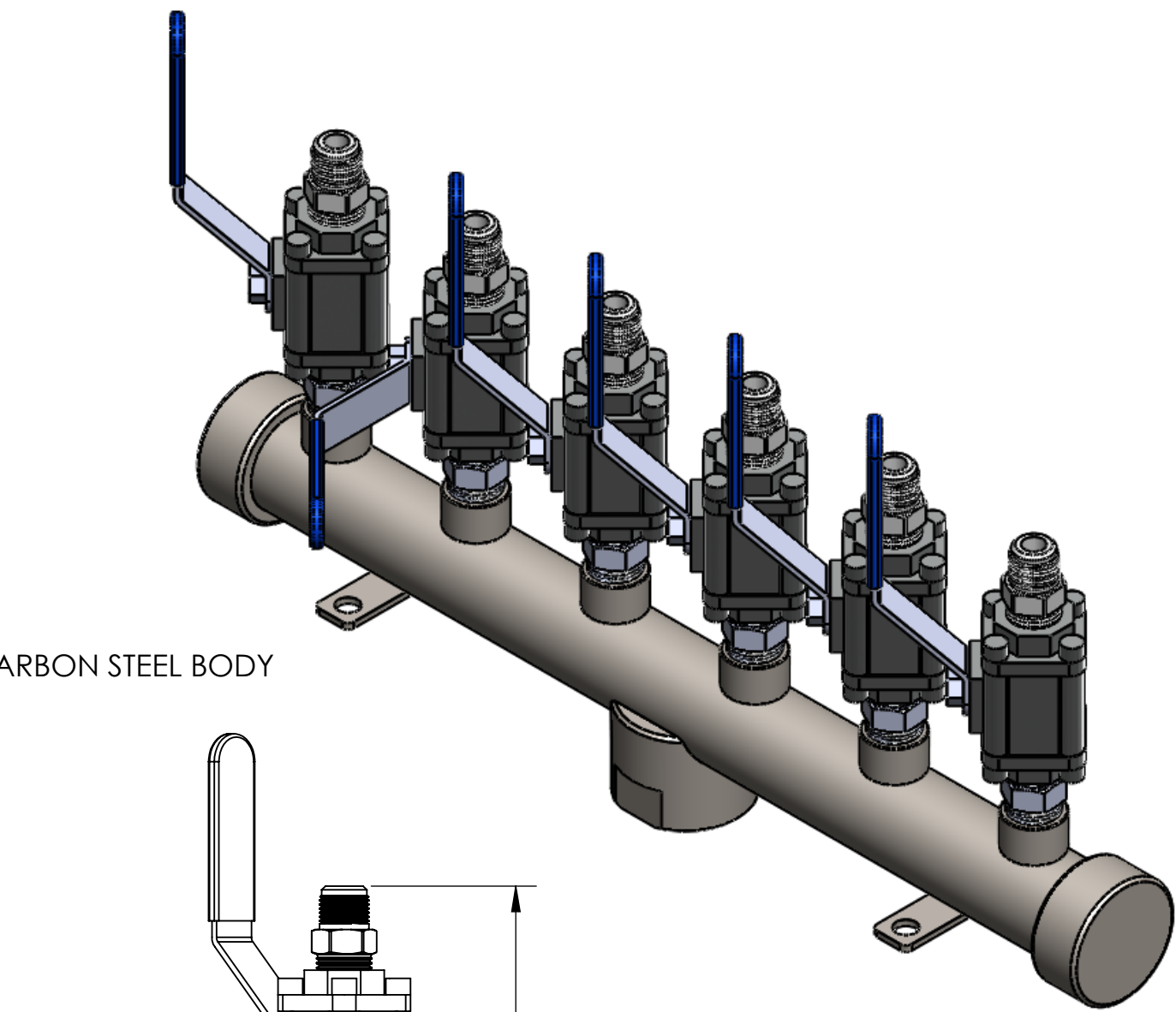
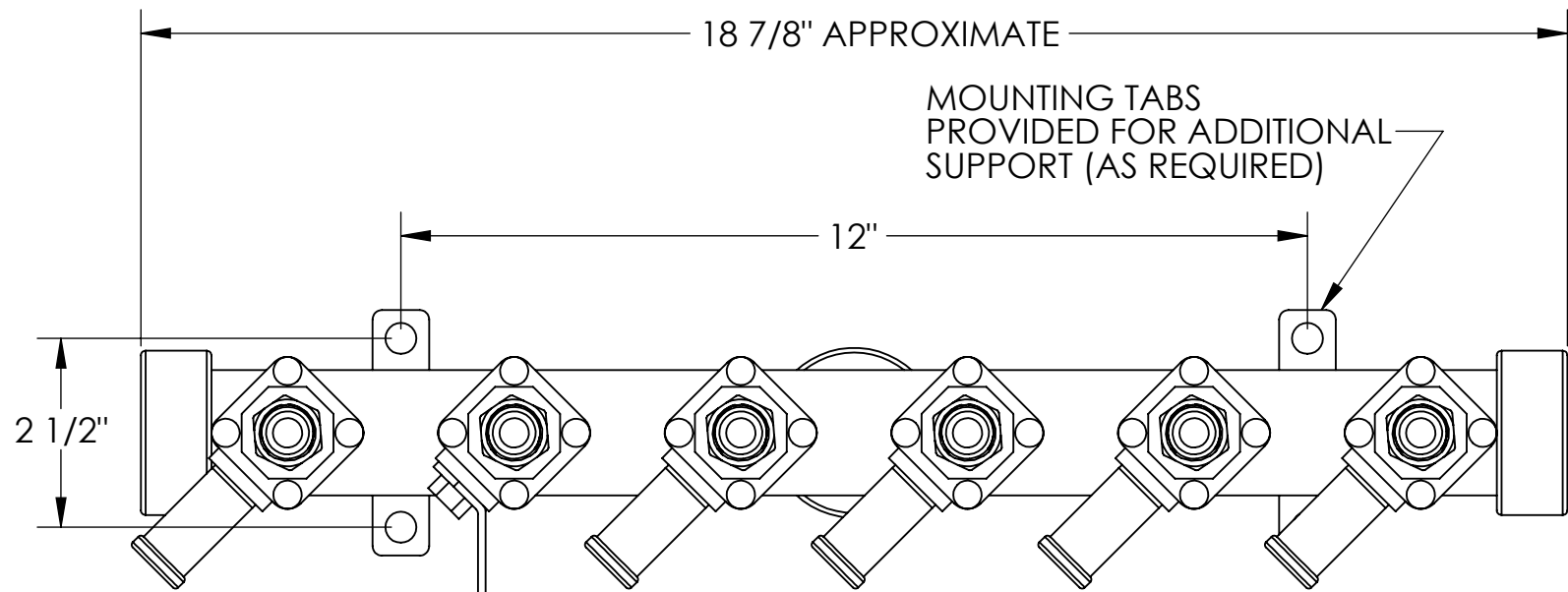
1" NPT (F)



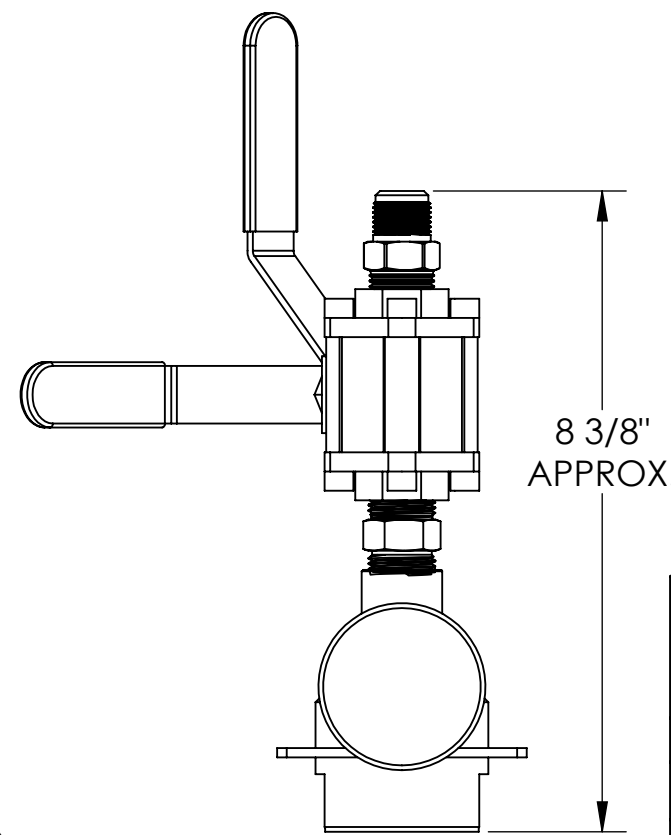
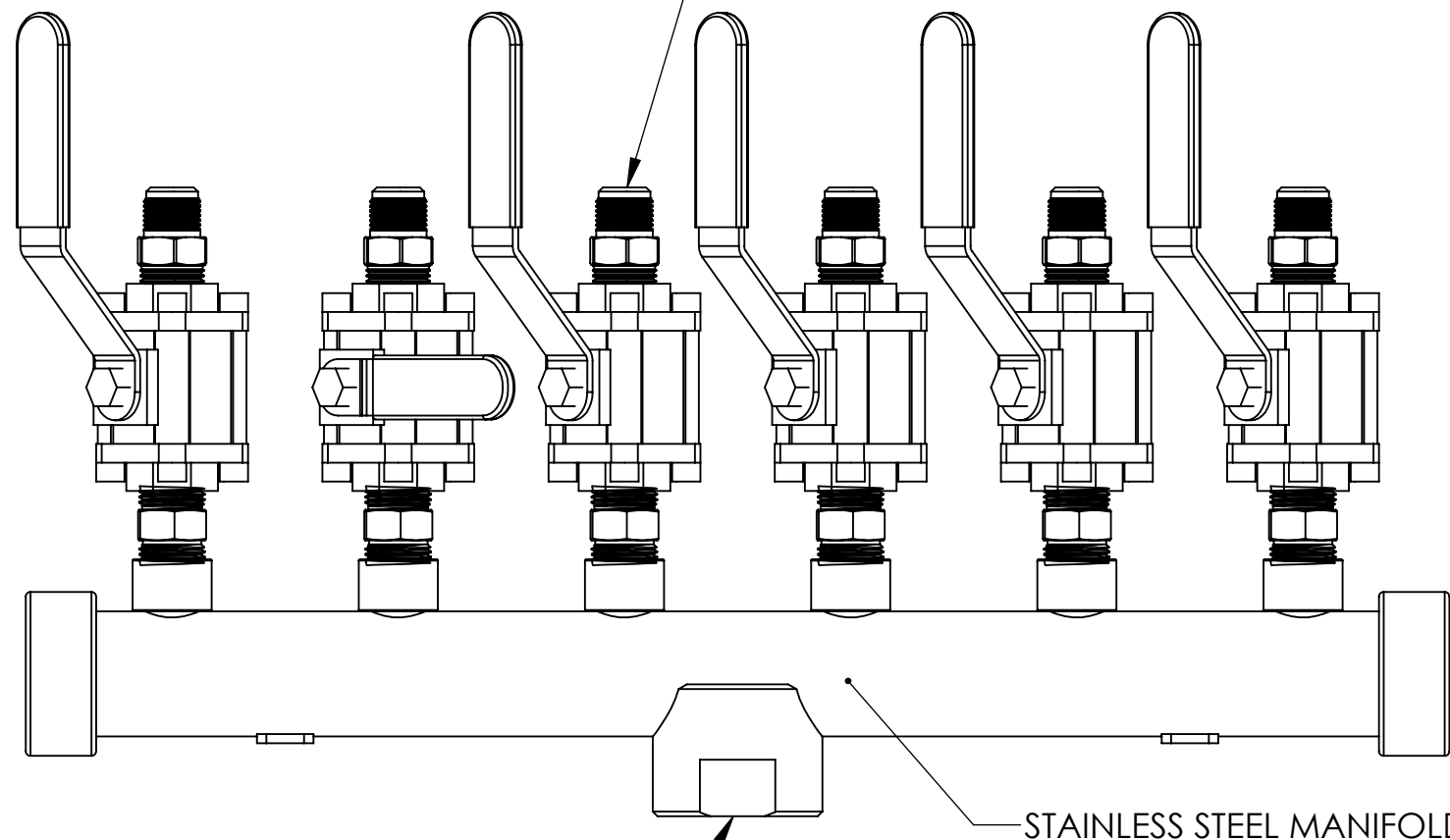
8 11/32" APPROX.



plastiXs		151 Memorial Drive Shrewsbury, MA 01545	
DRAWN BY PJS		DATE 9-22-2016	
TITLE 4 PORT HOT OIL MANIFOLD			
MATERIAL NOTED			
FINISH NONE			
UNLESS OTHERWISE SPECIFIED: 1. TOLERANCES: .XX ± .01 .XXX ± .005 FRACTIONAL ± 1/16 ANGULAR ± 1° 2. BREAK ALL EDGES AND DEBURR COMPLETELY. 3. NO NICKS, GOUGES OR SCRATCHES PERMISSIBLE. 4. ALL DIMENSIONS AND TOLERANCES APPLY AFTER FINISH.			THIRD ANGLE PROJECTION
DRAWING NUMBER PLX-HOC4	DRAWING REVISION A1	SCALE NONE	PAGE OF 1 1



6X 1/2" FULL PORT BALL VALVES, SS BALL, CARBON STEEL BODY WITH 1/2" (#8) JIC STEEL FITTINGS INSTALLED



1" NPT (F)

plastiXs		151 Memorial Drive Shrewsbury, MA 01545	
DRAWN BY PJS		DATE 9-22-2016	
TITLE 6 PORT HOT OIL MANIFOLD			
MATERIAL NOTED			
FINISH NONE			
UNLESS OTHERWISE SPECIFIED: 1. TOLERANCES: .XX ± .01 .XXX ± .005 FRACTIONAL ± 1/16 ANGULAR ± 1° 2. BREAK ALL EDGES AND DEBURR COMPLETELY. 3. NO NICKS, GOUGES OR SCRATCHES PERMISSIBLE. 4. ALL DIMENSIONS AND TOLERANCES APPLY AFTER FINISH.			THIRD ANGLE PROJECTION
DRAWING NUMBER PLX-HOC6	DRAWING REVISION A1	SCALE NONE	PAGE OF 1 1