

Call: 888-792-2223 or 508-842-1606

Email: sales@plastixs.com

Visit: www.plastixs.com



PAGE

- **Compression Couplings**
 - For Tubing and Pipe 1-3
 - With Gasket Protectors 4
 - Side-Band Couplings 5
 - Replacement Gaskets 6
- **Quickon Couplers** 7
- **Morris Gripper Couplers** 8
- **Repair Clamps**
 - All (A) Round 9
 - Single-Type 10
 - Double-Type 11
- **Morris Flexible Hose**
 - PVC 12-13
 - Metal 14-15
- **Installation Components** 16-17
- **Tubing Products**
 - Long Radius Tube Bends 18
 - Straights 18
 - Tees, Wyes, Laterals 18
- **Sight Glasses** 19
- **Wands**
 - Morris Gaylord Vacuum..... 20
- **Morris Coupling Nomenclature**..... 21

MORRIS
COUPLING COMPANY

Serving the pneumatic conveying industry with a complete line of precision quality coupling and tubing products, enabling you to purchase all of your needs from one source. And, on-time delivery performance, enabling you to meet your schedule.

Ordering Information

When ordering couplings, first determine the pipe size (IPS) or tube diameter (OD), choose the appropriate gasket material, decide whether or not you need a gasket protector or grounding strip (stainless steel or aluminum), and then select the corresponding coupling for your application. Always state the *outside diameter* of the pipe or tube, the size code number, and the price. If you prefer to use our computer PIC number designation, see page 21 for a complete explanation.

Terms

NET 30 upon completion and approval of a credit application.

F.O.B. Point Factory

Shipments

All orders should specify method of shipment. In the absence of instructions, shipments will be made at the company's discretion. If special routing is desired, this should be stated. If post office and shipping point addresses differ, both should be given. Orders are accepted with the express understanding that Morris Coupling Company and Plastixs, LLC will not be liable for any losses or damages resulting from any delays in shipment or delivery due to any cause whatsoever.

Orders, Contracts and Agreements

All orders and contracts taken by representatives of agents, or received direct, are subject to acceptance by the company.

Quotations

All quotations are valid for acceptance within 30 days unless otherwise noted.

Minimum Order

The net minimum billing is \$50.00

Returned Material

No merchandise can be returned without prior consent of the company. All returned shipments must be accompanied by a completed Customer Return Authorization form clearly identifying the name and address of the sender. In the event that any material is returned for credit, a restocking charge will be made, plus a charge for reconditioning where necessary. All products being returned must be new and in resellable condition.

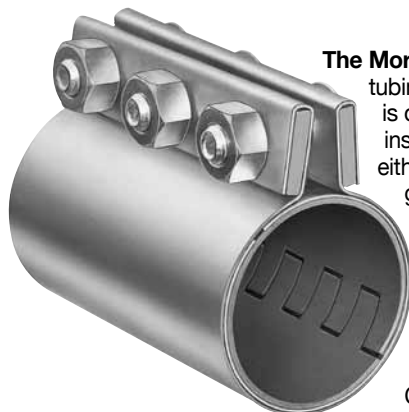
Special Products or Material

All non-stock items and special products or materials are non-cancellable, non-returnable and non-refundable.

Warranty

Morris Coupling Company warrants the goods to be free from defects in material and workmanship as represented in our catalogs or applicable drawings and specifications agreed to at the time of acceptance of the order. The obligation under this warranty shall be limited to repairing or replenishing any parts which shall, within one (1) year after shipment to the original purchaser, be demonstrated to be defective. This warranty is expressly in lieu of all other warranties, express or implied, including the warranties of merchantability and fitness for application. No person, firm or corporation is authorized to assume for Morris Coupling Company and Plastixs, LLC any other liability in connection with the sale of these goods.

Compression Couplings For Tubing And Pipe

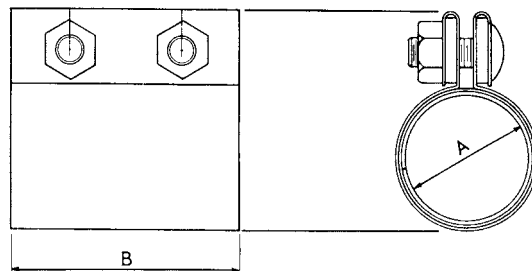


The Morris Compression tubing and pipe coupling is designed for permanent installation in the joining of either plain end, threaded, grooved or a combination of any of these joints. The band type construction holds the entire surface of the joint in uniform compression.

Couplings are made of heavy-gauge zinc-plated

steel...prices of aluminum or stainless-steel couplings quoted on request.

Gaskets furnished standard in red rubber or black neoprene...please specify. Gaskets also available in food grade, white neoprene and a variety of other materials at a slight extra charge.



Condensed Table Of Specifications

SIZE	Thickness		
	Shell	Sleeve	Gasket
1/2" - 2-7/8" OD	.052	.052	.062
3" OD	.052	.052	.093
3-1/4" - 5" OD	.062	.052	.093
5-1/4" - 8-5/8" OD	.062	.052	.125
9" - 24" OD	.062	.062	.125

Tubing or Nom. Pipe (IPS) Size	O.D. Tubing Pipe (A)	Morris Coupling Code	Coupling Length (B)	No. of Bolts	Size of Bolts	Weight Each (lbs.)	BLACK Neoprene Gasket*	FOOD-GRADE WHITE Neoprene Gasket*
							PIC No.	PIC No.
1/2" Pipe	.840	1/2-2C	2"	2	5/16 x 1-1/4	.5	0100842B2	0100842W2
3/4" Pipe	1.050	3/4-2C	2"	2	5/16 x 1-1/4	.7	0101052B2	0101052W2
1" Tubing	1.000	1-2C-OD	2"	2	5/16 x 1-1/4	1.6	0101002B2	0101002W2
1" Pipe	1.315	1-2C	4"	2	1/2 x 1-3/4	1.6	0101312B2	0101312W2
1-1/4" Tubing	1.250	1-1/4-2C-OD	4"	2	1/2 x 1-3/4	1.9	0101252B2	0101252W2
1-1/4" Pipe	1.660	1-1/4-2C	4"	2	1/2 x 1-3/4	1.8	0101662B2	0101662W2
	1.660	1-1/4-3C	6"	3	1/2 x 1-3/4	3.0	0101663B2	0101663W2
1-1/2" Tubing	1.500	1-1/2-2C-OD	4"	2	1/2 x 1-3/4	2.0	0101502B2FG	0101502W2
	1.500	1-1/2-3C-OD	6"	3	1/2 x 1-3/4	2.9	0101503B2FG	0101503W2
1-1/2" Pipe	1.900	1-1/2-2C	4"	2	1/2 x 1-3/4	2.0	0101902B2	0101902W2
	1.900	1-1/2-3C	6"	3	1/2 x 1-3/4	3.1	0101903B2	0101903W2
1-3/4" Tubing	1.750	1-3/4-2C-OD	4"	2	1/2 x 1-3/4	2.1	0101752B2FG	0101752W2
	1.750	1-3/4-3C-OD	6"	3	1/2 x 1-3/4	3.0	0101753B2FG	0101753W2FG
2" Tubing	2.000	2-2C-OD	4"	2	1/2 x 1-3/4	2.1	0102002B2FG	0102002W2
	2.000	2-3C-OD	6"	3	1/2 x 1-3/4	3.1	0102003B2FG	0102003W2FG
2" Pipe	2.375	2-2C	4"	2	1/2 x 1-3/4	2.2	0102372B2	0102372W2FG
	2.375	2-3C	6"	3	1/2 x 1-3/4	3.5	0102373B2FG	0102373W2FG
	2.375	2-4C	8"	4	1/2 x 1-3/4	4.7	0102374B2	0102374W2
2-1/8" Tubing	2.125	2-1/8-2C-OD	4"	2	1/2 x 1-3/4	2.1	0102122B2	0102122W2
	2.125	2-1/8-3C-OD	6"	3	1/2 x 1-3/4	3.2	0102123B2FG	0102123W2
2-3/16" Tubing	2.187	2-3/16-2C-OD	4"	2	1/2 x 1-3/4	2.2	0102182B2FG	0102182W2
	2.187	2-3/16-3C-OD	6"	3	1/2 x 1-3/4	3.3	0102183B2FG	0102183W2
2-1/4" Tubing	2.250	2-1/4-2C-OD	4"	2	1/2 x 1-3/4	2.2	0102252B2	0102252W2
	2.250	2-1/4-3C-OD	6"	3	1/2 x 1-3/4	3.3	0102253B2FG	0102253W2
2-1/2" Tubing	2.500	2-1/2-2C-OD	4"	2	1/2 x 1-3/4	2.6	0102502B2FG	0102502W2
	2.500	2-1/2-3C-OD	6"	3	1/2 x 1-3/4	3.4	0102503B2FG	0102503W2FG
2-1/2" Pipe	2.875	2-1/2-2C	4"	2	1/2 x 1-3/4	2.4	0102872B2	0102872W2
	2.875	2-1/2-3C	6"	3	1/2 x 1-3/4	3.7	0102873B2FG	0102873W2
	2.875	2-1/2-4C	8"	4	1/2 x 1-3/4	5.0	0102874B2	0102874W2
2-3/4" Tubing	2.750	2-3/4-3C-OD	6"	3	1/2 x 1-3/4	3.6	0102753B2	0102753W2
3" Tubing	3.000	3-2C-OD	4"	2	5/8 x 2	3.2	0103002B2FG	0103002W2
	3.000	3-3C-OD	6"	3	5/8 x 2	4.5	0103003B2FG	0103003W2FG
	3.000	3-4C-OD	8"	4	5/8 x 2	5.9	0103004B2FG	0103004W2FG
3" Pipe	3.500	3-2C	4"	2	5/8 x 2	3.4	0103502B2	0103502W2
	3.500	3-3C	6"	3	5/8 x 2	5.1	0103503B2FG	0103503W2FG
	3.500	3-4C	8"	4	5/8 x 2	6.6	0103504B2FG	0103504W2FG
3-1/4" Tubing	3.250	3-1/4-2C-OD	4"	2	5/8 x 2	3.5	0103252B2	0103252W2
	3.250	3-1/4-3C-OD	6"	3	5/8 x 2	5.0	0103253B2	0103253W2
	3.250	3-1/4-4C-OD	8"	4	5/8 x 2	6.5	0103254B2	0103254W2
3-1/2" Tubing	3.500	3-2C	4"	2	5/8 x 2	3.4	0103502B2	0103502W2
	3.500	3-3C	6"	3	5/8 x 2	5.1	0103503B2FG	0103503W2FG
	3.500	3-4C	8"	4	5/8 x 2	6.6	0103504B2FG	0103504W2FG

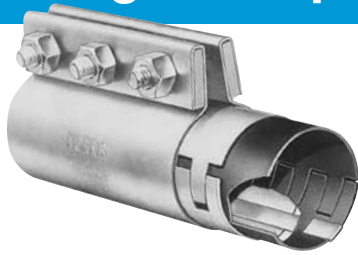
- WHEN ORDERING, always give the Code No. and O.D. of the pipe or tube on which coupling will be used.
- Prices for larger and/or special sizes available on request.

NOTE: When ordering GASKETS ONLY, please refer to page 6.

- (1) Same price applies for couplings with red rubber gaskets.
 - (2) Stainless steel grounding strips are standard on all couplings. Aluminum grounding strips or couplings without grounding strips available at same price.
- *Neoprene



Compression Couplings For Tubing And Pipe *continued*



To Prevent Static Electricity Build-up in Bulk Material Conveying Systems, specify Morris Compression Couplings with grounding strips. Be sure to state if your requirements call for aluminum or stainless steel strips. Stainless steel grounding strips are standard, aluminum grounding strips or couplings without grounding strips are available at the same price.

To Eliminate Gasket Wear, or contamination of material flowing through the system lines, specify Couplings with Stainless Steel GASKET PROTECTORS. (For prices, see page 4.)

Nom. Pipe (IPS) Size	Tubing or Tubing Pipe (A)	O.D. Morris Coupling Code	Coupling Length (B)	No. of Bolts	Size of Bolts	Weight Each (lbs.)	BLACK Neoprene Gasket*	FOOD-GRADE WHITE Neoprene Gasket*
							PIC No.	PIC No.
3-1/2" Pipe	4.000	3-1/2-2C	4"	2	5/8 x 2	3.7	0104002B2FG	0104002W2
	4.000	3-1/2-3C	6"	3	5/8 x 2	5.3	0104003B2FG	0104003W2FG
	4.000	3-1/2-4C	8"	4	5/8 x 2	7.2	0104004B2FG	0104004W2FG
3-3/4" Tubing	3.750	3-3/4-3C-OD	6"	3	5/8 x 2	5.6	0103753B2	0103753W2
	3.750	3-3/4-4C-OD	8"	4	5/8 x 2	7.4	0103754B2	0103754W2
4" Tubing	4.000	3-1/2-2C	4"	2	5/8 x 2	3.7	0104002B2FG	0104002W2
	4.000	3-1/2-3C	6"	3	5/8 x 2	5.3	0104003B2FG	0104003W2FG
	4.000	3-1/2-4C	8"	4	5/8 x 2	7.2	0104004B2FG	0104004W2FG
4" Pipe	4.500	4-2C	4"	2	5/8 x 2	3.8	0104502B2	0104502W2
	4.500	4-3C	6"	3	5/8 x 2	5.5	0104503B2FG	0104503W2FG
	4.500	4-4C	8"	4	5/8 x 2	7.7	0104504B2FG	0104504W2FG
4-1/4" Tubing	4.250	4-1/4-3C-OD	6"	3	5/8 x 2	5.5	0104253B2	0104253W2
	4.250	4-1/4-4C-OD	8"	4	5/8 x 2	7.0	0104254B2	0104254W2
4-1/2" Tubing	4.500	4-2C	4"	2	5/8 x 2	3.8	0104502B2	0104502W2
	4.500	4-3C	6"	3	5/8 x 2	5.5	0104503B2FG	0104503W2FG
	4.500	4-4C	8"	4	5/8 x 2	7.7	0104504B2FG	0104504W2FG
4-1/2" Pipe	5.000	4-1/2-2C	4"	2	5/8 x 2	4.2	0105002B2	0105002W2
	5.000	4-1/2-3C	6"	3	5/8 x 2	6.2	0105003B2FG	0105003W2FG
	5.000	4-1/2-4C	8"	4	5/8 x 2	8.1	0105004B2FG	0105004W2FG
4-3/4" Tubing	4.750	4-3/4-3C-OD	6"	3	5/8 x 2	6.5	0104753B2	0104753W2
	4.750	4-3/4-4C-OD	8"	4	5/8 x 2	8.6	0104754B2	0104754W2
5" Tubing	5.000	4-1/2-2C	4"	2	5/8 x 2	4.2	0105002B2	0105002W2
	5.000	4-1/2-3C	6"	3	5/8 x 2	6.2	0105003B2FG	0105003W2FG
	5.000	4-1/2-4C	8"	4	5/8 x 2	8.1	0105004B2FG	0105004W2FG
5" Pipe	5.563	5-2C	4"	2	5/8 x 2	4.6	0105562B2	0105562W2
	5.563	5-3C	6"	3	5/8 x 2	6.8	0105563B2FG	0105563W2FG
	5.563	5-4C	8"	4	5/8 x 2	8.8	0105564B2FG	0105564W2FG
5-1/4" Tubing	5.250	5-1/4-3C-OD	6"	3	5/8 x 2	6.6	0105253B2	0105253W2
5-1/2" Tubing	5.500	5-1/2-3C-OD	6"	3	5/8 x 2	6.8	0105503B2	0105503W2
	5.500	5-1/2-4C-OD	8"	4	5/8 x 2	9.0	0105504B2	0105504W2
5-3/4" Tubing	5.750	5-3/4-3C-OD	6"	3	5/8 x 2	7.8	0105753B2	0105753W2
	5.750	5-3/4-4C-OD	8"	4	5/8 x 2	9.2	0105754B2	0105754W2
6" Tubing	6.000	6-2C-OD	4"	2	5/8 x 2	4.7	0106002B2FG	0106002W2
	6.000	6-3C-OD	6"	3	5/8 x 2	7.0	0106003B2FG	0106003W2FG
	6.000	6-4C-OD	8"	4	5/8 x 2	9.4	0106004B2FG	0106004W2FG
	6.000	6-5C-OD	10"	5	5/8 x 2	11.8	0106005B2	0106005W2
6" Pipe	6.625	6-2C	4"	2	5/8 x 2	5.3	0106622B2	0106622W2
	6.625	6-3C	6"	3	5/8 x 2	7.8	0106623B2FG	0106623W2
	6.625	6-4C	8"	4	5/8 x 2	10.4	0106624B2FG	0106624W2FG
	6.625	6-5C	10"	5	5/8 x 2	14.3	0106625B2	0106625W2
6-1/4" Tubing	6.250	6-1/4-3C-OD	6"	3	5/8 x 2	7.3	0106253B2	0106253W2
	6.250	6-1/4-4C-OD	8"	4	5/8 x 2	10.0	0106254B2	0106254W2
6-1/2" Tubing	6.500	6-1/2-3C-OD	6"	3	5/8 x 2	7.5	0106503B2	0106503W2
	6.500	6-1/2-4C-OD	8"	4	5/8 x 2	10.4	0106504B2	0106504W2
6-3/4" Tubing	6.750	6-3/4-3C-OD	6"	3	5/8 x 2	7.7	0106753B2	0106753W2
	6.750	6-3/4-4C-OD	8"	4	5/8 x 2	10.8	0106754B2	0106754W2
7" Tubing	7.000	7-3C-OD	6"	3	5/8 x 2	7.9	0107003B2	0107003W2
	7.000	7-4C-OD	8"	4	5/8 x 2	10.8	0107004B2	0107004W2
	7.000	7-5C-OD	10"	5	5/8 x 2	13.7	0107005B2	0107005W2
7-1/4" Tubing	7.250	7-1/4-3C-OD	6"	3	5/8 x 2	8.3	0107253B2	0107253W2
7-1/2" Tubing	7.500	7-1/2-3C-OD	6"	3	5/8 x 2	8.5	0107503B2	0107503W2
	7.500	7-1/2-4C-OD	8"	4	5/8 x 2	11.3	0107504B2	0107504W2
7-3/4" Tubing	7.750	7-3/4-3C-OD	6"	3	5/8 x 2	8.9	0107753B2	0107753W2
8" Tubing	8.000	8-2C-OD	6"	2	3/4 x 3	11.0	0108002B2	0108002W2
	8.000	8-3C-OD	8"	3	3/4 x 3	14.3	0108003B2FG	0108003W2
	8.000	8-4C-OD	10"	4	3/4 x 3	18.0	0108004B2FG	0108004W2
	8.000	8-5C-OD	12"	5	3/4 x 3	22.0	0108005B2	0108005W2
	8.000	8-2C	6"	2	3/4 x 3	11.5	0108622B2	0108622W2
8" Pipe	8.625	8-3C	8"	3	3/4 x 3	14.6	0108623B2	0108623W2
	8.625	8-4C	10"	4	3/4 x 3	18.8	0108624B2FG	0108624W2FG
	8.625	8-5C	12"	5	3/4 x 3	23.0	0108625B2	0108625W2
	9.000	9-3C-OD	8"	3	3/4 x 3	15.9	0109003B2	0109003W2
9" Tubing	9.000	9-4C-OD	10"	4	3/4 x 3	19.9	0109004B2	0109004W2

* WHEN ORDERING, always give the Code No. and O.D. of the pipe or tube on which coupling will be used. *Neoprene
 (1) Same price applies for couplings with red rubber gaskets. All prices shown are F.O.B. Erie, PA – prices subject to change without notice.
 (2) Stainless steel grounding strips are standard on all couplings. Aluminum grounding strips or couplings without grounding strips available at same price.

Tubing or Nom. Pipe (IPS) Size	O.D. Tubing Pipe (A)	Morris Coupling Code	Coupling Length (B)	No. of Bolts	Size of Bolts	Weight Each (lbs.)	BLACK Neoprene Gasket*	FOOD-GRADE WHITE Neoprene Gasket*
							PIC No.	PIC No.
10" Tubing	10.000	10-3C-OD	8"	3	3/4 x 3	17.5	0110003B2	0110003W2
	10.000	10-4C-OD	10"	4	3/4 x 3	21.8	0110004B2FG	0110004W2
	10.000	10-5C-OD	12"	5	3/4 x 3	26.1	0110005B2	0110005W2
10" Pipe	10.750	10-3C	8"	3	3/4 x 3	16.4	0110753B2	0110753W2
	10.750	10-4C	10"	4	3/4 x 3	20.3	0110754B2	0110754W2
	10.750	10-5C	12"	5	3/4 x 3	25.2	0110755B2	0110755W2
12" Tubing	12.000	12-3C-OD	8"	3	3/4 x 3	20.4	0112003B2	0112003W2
	12.000	12-4C-OD	10"	4	3/4 x 3	25.5	0112004B2	0112004W2
	12.000	12-5C-OD	12"	5	3/4 x 3	30.2	0112005B2	0112005W2
12" Pipe	12.750	12-3C	8"	3	3/4 x 3	18.7	0112753B2	0112753W2
	12.750	12-4C	10"	4	3/4 x 3	23.3	0112754B2	0112754W2
	12.750	12-5C	12"	5	3/4 x 3	28.1	0112755B2	0112755W2
13" Tubing	13.000	13-3C-OD	8"	3	3/4 x 3	21.8	0113003B2	0113003W2
	13.000	13-4C-OD	10"	4	3/4 x 3	26.8	0113004B2	0113004W2
	13.000	13-5C-OD	12"	5	3/4 x 3	32.6	0113005B2	0113005W2
14**	14.000	14-3C-OD	8"	3	3/4 x 3	22.9	0114003B2	0114003W2
	14.000	14-4C-OD	10"	4	3/4 x 3	27.6	0114004B2	0114004W2
	14.000	14-5C-OD	12"	5	3/4 x 3	34.2	0114005B2	0114005W2
	14.000	14-6C-OD	16"	6	3/4 x 3	45	0114006B2	0114006W2
15**	15.000	15-3C-OD	8"	3	3/4 x 3	24	0115003B2	0115003W2
	15.000	15-4C-OD	10"	4	3/4 x 3	29.6	0115004B2	0115004W2
	15.000	15-5C-OD	12"	5	3/4 x 3	35.9	0115005B2	0115005W2
	15.000	15-6C-OD	16"	6	3/4 x 3	48	0115006B2	0115006W2
16**	16.000	16-3C-OD	8"	3	3/4 x 3	25.3	0116003B2	0116003W2
	16.000	16-4C-OD	10"	4	3/4 x 3	31.1	0116004B2	0116004W2
	16.000	16-5C-OD	12"	5	3/4 x 3	37.8	0116005B2	0116005W2
	16.000	16-6C-OD	16"	6	3/4 x 3	49.5	0116006B2	0116006W2
18**	18.000	18-4C-OD	10"	4	3/4 x 3	34.7	0118004B2	0118004W2
	18.000	18-5C-OD	12"	5	3/4 x 3	41.9	0118005B2	0118005W2
	18.000	18-6C-OD	16"	6	3/4 x 3	54.9	0118006B2	0118006W2
20**	20.000	20-5C-OD	12"	5	3/4 x 3	45.6	0120005B2	0120005W2
	20.000	20-6C-OD	16"	6	3/4 x 3	59.5	0120006B2	0120006W2
22**	22.000	22-5C-OD	12"	5	3/4 x 3	48.9	0122005B2	0122005W2
	22.000	22-6C-OD	16"	6	3/4 x 3	64.4	0122006B2	0122006W2
24**	24.000	24-5C-OD	12"	5	3/4 x 3	52.1	0124005B2	0124005W2
	24.000	24-6C-OD	16"	6	3/4 x 3	68.6	0124006B2	0124006W2

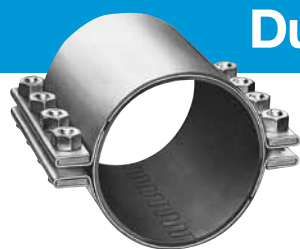
• WHEN ORDERING, always give the Code No. and O.D. of the pipe or tube on which coupling will be used.

• Overall height of coupling, including flange, is coupling O.D. plus 2-3/4".

**Tubing and pipe have same O.D. *Neoprene

(1) Same price applies for couplings with red rubber gaskets.

(2) Stainless steel grounding strips are standard on all couplings. Aluminum grounding strips or couplings without grounding strips available at same price.



Dual-Purpose Couplings For Tubing And Pipe

When higher pressures or applications requiring greater end-pull capabilities are encountered, these dual-flange couplings are recommended. Gasket is one piece with single row of interlocking teeth as illustrated. The outer shell with flanges and the inner sleeve are two pieces each. Dual-Purpose Couplings slide to position at the joint without removing the bolts ... or may be separated into halves for assembly around the joint.

Tubing or Nom. Pipe (IPS) Size	O.D. Tubing Pipe (A)	Morris Coupling Code	Coupling Length (B)	No. of Bolts	Size of Bolts	Weight Each (lbs.)	BLACK Neoprene Gasket*	FOOD-GRADE WHITE Neoprene Gasket*
							PIC No.	PIC No.
20**	20.000	20-5C-OD DP	12"	10	3/4 x 3	54.8	0820005B2	0820005W2
	20.000	20-6C-OD DP	16"	12	3/4 x 3	72.9	0820006B2	0820006W2
22**	22.000	22-5C-OD DP	12"	10	3/4 x 3	57.8	0822005B2	0822005W2
	22.000	22-6C-OD DP	16"	12	3/4 x 3	76.6	0822006B2	0822006W2
24**	24.000	24-5C-OD DP	12"	10	3/4 x 3	61.2	0824005B2	0824005W2
	24.000	24-6C-OD DP	16"	12	3/4 x 3	81.3	0824006B2	0824006W2
26**	26.000	26-5C-OD DP	12"	10	3/4 x 3	64.5	0826005B2	0826005W2
	26.000	26-6C-OD DP	16"	12	3/4 x 3	85.8	0826006B2	0826006W2
28**	28.000	28-5C-OD DP	12"	10	3/4 x 3	67.8	0828005B2	0828005W2
	28.000	28-6C-OD DP	16"	12	3/4 x 3	93.1	0828006B2	0828006W2

• WHEN ORDERING, always give the Code No. and O.D. of the pipe or tube on which coupling will be used.

• Dimensions of couplings to outside edges of flanges is coupling O.D. plus 5-1/2".

**Tubing and pipe have same O.D. *Neoprene.

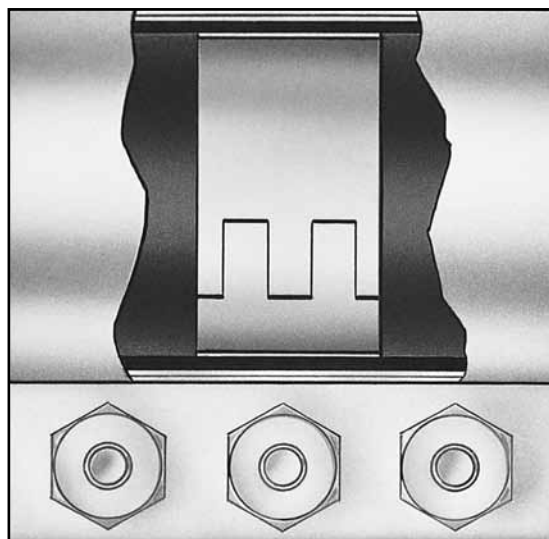
Compression Couplings with Stainless-Steel Gasket Protectors

You can eliminate costly downtime and replacement of coupling gaskets in your vacuum conveying system.

Morris Gasket Protectors provide positive gasket protection against abrasion or corrosion with no adverse effect on Coupling capabilities. They prevent gasket wear which occurs when pipe or tubing ends do not butt completely. This gap is often unavoidable and always undetectable. In vacuum systems, gaskets without Protectors can be drawn into the line enough to cause excessive wear and eventual system leaks. This may result in undesirable contamination of the materials being handled.

Morris Couplings with Gasket Protectors fully eliminate these costly hazards to the effective and economical operation of vacuum conveying systems.

- Are factory assembled – no loose parts.
- Automatically compensate for field installation variations causing exposure of gaskets – prevent pinched gaskets at butt connections.
- Gasket Protectors are of Type 430 stainless steel with interlocking teeth – excellent for protection against abrasion and corrosion.
- For special corrosive applications, specify Teflon Gasket Protectors*.



Gasket Protectors are for use with Morris Compression Couplings only and are **not recommended for couplings less than 6" long.**

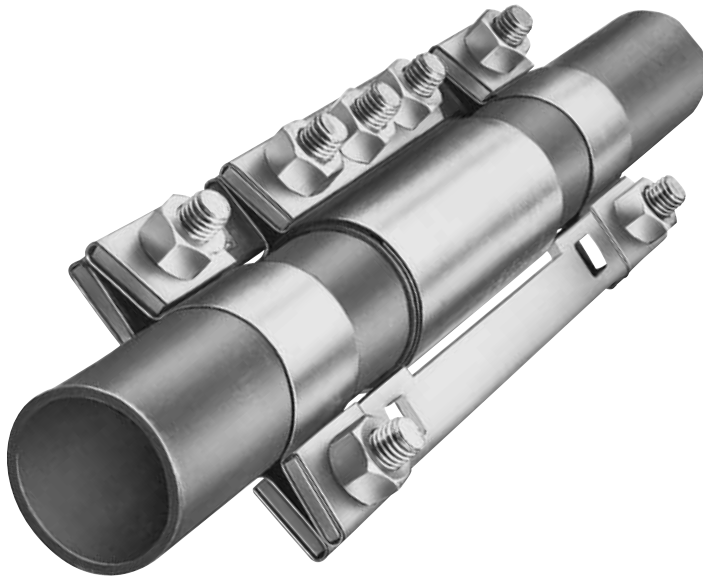
Tubing or Nominal Pipe Size (IPS)	Tubing Pipe (A)	Morris Coupling Code	Coupling Length (B)	Number of Bolts	Size of Bolts	Standard Black Neoprene Gasket	Food Grade White Neoprene Gasket
						PIC No.	PIC No.
1-1/2" Tubing	1.500	1-1/2-3C-OD	6"	3	1/2 x 1-3/4	0101503B4FG	0101503W4
1-1/2" Pipe	1.900	1-1/2-3C	6"	3	1/2 x 1-3/4	0101903B4FG	0101903W4
1-3/4" Tubing	1.750	1-3/4-3C-OD	6"	3	1/2 x 1-3/4	0101753B4	0101753W4
2" Tubing	2.000	2-3C-OD	6"	3	1/2 x 1-3/4	0102003B4FG	0102003W4
2" Pipe	2.375	2-3C	6"	3	1/2 x 1-3/4	0102373B4FG	0102373W4
2-3/16" Tubing	2.187	2-3/16-3C-OD	6"	3	1/2 x 1-3/4	0102183B4FG	0102183W4
2-1/2" Tubing	2.500	2-1/2-3C-OD	6"	3	1/2 x 1-3/4	0102503B4FG	0102503W4
2-1/2" Pipe	2.875	2-1/2-3C	6"	3	1/2 x 1-3/4	0102873B4	0102873W4
3" Tubing	3.000	3-3C-OD	6"	3	5/8 x 2	0103003B4FG	0103003W4
	3.000	3-4C-OD	8"	4	5/8 x 2	0103004B4	0103004W4
3" Pipe	3.500	3-3C	6"	3	5/8 x 2	0103503B4FG	0103503W4
	3.500	3-4C	8"	4	5/8 x 2	0103504B4	0103504W4
3-1/2" Tubing	3.500	3-3C	6"	3	5/8 x 2	0103503B4FG	0103503W4
	3.500	3-4C	8"	4	5/8 x 2	0103504B4	0103504W4
3-1/2" Pipe	4.000	3-1/2-3C	6"	3	5/8 x 2	0104003B4FG	0104003W4
	4.000	3-1/2-4C	8"	4	5/8 x 2	0104004B4FG	0104004W4
4" Tubing	4.000	3-1/2-3C	6"	3	5/8 x 2	0104003B4FG	0104003W4
	4.000	3-1/2-4C	8"	4	5/8 x 2	0104004B4FG	0104004W4
4" Pipe	4.500	4-3C	6"	3	5/8 x 2	0104503B4FG	0104503W4
	4.500	4-4C	8"	4	5/8 x 2	0104504B4	0104504W4

Compression Couplings with Stainless-Steel Gasket Protectors *continued*



Tubing or Nominal Pipe Size (IPS)	Tubing Pipe (A)	Morris Coupling Code	Coupling Length (B)	Number of Bolts	Size of Bolts	Standard Black Neoprene Gasket	Food Grade White Neoprene Gasket
						PIC No.	PIC No.
4-1/2" Tubing	4.500	4-3C	6"	3	5/8 x 2	0104503B4FG	0104503W4
	4.500	4-4C	8"	4	5/8 x 2	0104504B4	0104504W4
4-1/2" Pipe	5.000	4-1/2-3C	6"	3	5/8 x 2	0105003B4	0105003W4
	5.000	4-1/2-4C	8"	4	5/8 x 2	0105004B4	0105004W4
5" Tubing	5.000	4-1/2-3C	6"	3	5/8 x 2	0105003B4	0105003W4
	5.000	4-1/2-4C	8"	4	5/8 x 2	0105004B4	0105004W4
5" Pipe	5.563	5-3C	6"	3	5/8 x 2	0105563B4	0105563W4
	5.563	5-4C	8"	4	5/8 x 2	0105564B4	0105564W4
6" Tubing	6.000	6-3C-OD	6"	3	5/8 x 2	0106003B4	0106003W4
	6.000	6-4C-OD	8"	4	5/8 x 2	0106004B4	0106004W4
6" Pipe	6.625	6-3C	6"	3	5/8 x 2	0106623B4	0106623W4
	6.625	6-4C	8"	4	5/8 x 2	0106624B4	0106624W4
8" Tubing	8.000	8-3C-OD	8"	3	3/4 x 3	0108003B4	0108003W4
	8.000	8-4C-OD	10"	4	3/4 x 3	0108004B4	0108004W4
8" Pipe	8.625	8-3C	8"	3	3/4 x 3	0108623B4	0108623W4
	8.625	8-4C	10"	4	3/4 x 3	0108624B4	0108624W4
10" Tubing	10.000	10-3C-OD	8"	3	3/4 x 3	0110003B4	0110003W4
	10.000	10-4C-OD	10"	4	3/4 x 3	0110004B4	0110004W4
	10.000	10-5C-OD	12"	5	3/4 x 3	0110005B4	0110005W4
10" Pipe	10.750	10-3C	8"	3	3/4 x 3	0110753B4	0110753W4
	10.750	10-4C	10"	4	3/4 x 3	0110754B4	0110754W4
	10.750	10-5C	12"	5	3/4 x 3	0110755B4	0110755W4
12" Tubing	12.000	12-3C-OD	8"	3	3/4 x 3	0112003B4	0112003W4
	12.000	12-4C-OD	10"	4	3/4 x 3	0112004B4	0112004W4
	12.000	12-5C-OD	12"	5	3/4 x 3	0112005B4	0112005W4
12" Pipe	12.750	12-3C	8"	3	3/4 x 3	0112753B4	0112753W4
	12.750	12-4C	10"	4	3/4 x 3	0112754B4	0112754W4
	12.750	12-5C	12"	5	3/4 x 3	0112755B4	0112755W4

Side-Band Compression Couplings



The unique design of the Morris Side-Band Compression Coupling provides improved axial-force capability when connecting pipe and tubing. Side-band couplings are especially effective where line vibration is a problem.

The side-band coupling provides all the sealing advantages of the Morris compression coupling while providing enhanced end-pull capability.

Available for 1-1/2" through 24" nominal pipe or tubing sizes. Static grounding strips and stainless-steel gasket protectors also available.

O.D. of Tubing or Pipe (in.)	Morris Coupling Code No.	Wt. Each (lb.)	BLACK Neoprene Gasket*	FOOD-GRADE WHITE Neoprene Gasket*
			PIC No.	PIC No.
2.000	2-3C-OD-SB	7.3	3102003B0	3102003W0
2.375	2-3C-SB	7.7	3102373B0	3102373W0
2.500	2-1/2-3C-OD-SB	8.1	3102503B0	3102503W0
2.875	2-1/2-3C-SB	8.7	3102873B0	3102873W0
3.000	3-3C-OD-SB	9.2	3103003B0	3103003W0
	3-4C-OD-SB	10.1	3103004B0	3103004W0
3.500	3-3C-SB	9.8	3103503B0	3103503W0
	3-4C-SB	10.7	3103504B0	3103504W0
4.000	3-1/2-3C-SB	10.3	3104003B0	3104003W0
	3-1/2-4C-SB	12.9	3104004B0	3104004W0
4.500	4-3C-SB	10.7	3104503B0	3104503W0
	4-4C-SB	13.4	3104504B0	3104504W0
5.000	4-1/2-3C-SB	11.4	3105003B0	3105003W0
	4-1/2-4C-SB	14.1	3105004B0	3105004W0
5.563	5-3C-SB	12.3	3105563B0	3105563W0
	5-4C-SB	15.0	3105564B0	3105564W0

O.D. of Tubing or Pipe (in.)	Morris Coupling Code No.	Wt. Each (lb.)	BLACK Neoprene Gasket*	FOOD-GRADE WHITE Neoprene Gasket*
			PIC No.	PIC No.
6.000	6-3C-OD-SB	12.5	3106003B0	3106003W0
	6-4C-OD-SB	15.6	3106004B0	3106004W0
6.625	6-3C-SB	13.5	3106623B0	3106623W0
	6-4C-SB	16.9	3106624B0	3106624W0
8.000	8-3C-OD-SB	24.8	3108003B0	3108003W0
	8-4C-OD-SB	28.5	3108004B0	3108004W0
8.625	8-3C-SB	25.6	3108623B0	3108623W0
	8-4C-SB	29.8	3108624B0	3108624W0
10.000	10-3C-OD-SB	29.2	3110003B0	3110003W0
	10-4C-OD-SB	33.5	3110004B0	3110004W0
10.750	10-3C-SB	28.1	3110753B0	3110753W0
	10-4C-SB	32.0	3110754B0	3110754W0
12.000	12-3C-OD-SB	32.1	3112003B0	3112003W0
	12-4C-OD-SB	37.0	3112004B0	3112004W0
12.750	12-3C-SB	32.7	3112753B0	3112753W0
	12-4C-SB	37.9	3112754B0	3112754W0

- (1) Same price applies for couplings with red rubber gaskets.
- (2) Stainless steel or aluminum grounding strips are available at same price.

*Neoprene

- WHEN ORDERING, always give the Code No. and O.D. of the pipe or tube on which coupling will be used.
- Contact factory for prices of couplings with Teflon gasket protectors.
- Prices for larger and/or special sizes available on request.

Note: For Side-Band coupling length, add 8 inches to basic coupling length.

Replacement Gaskets

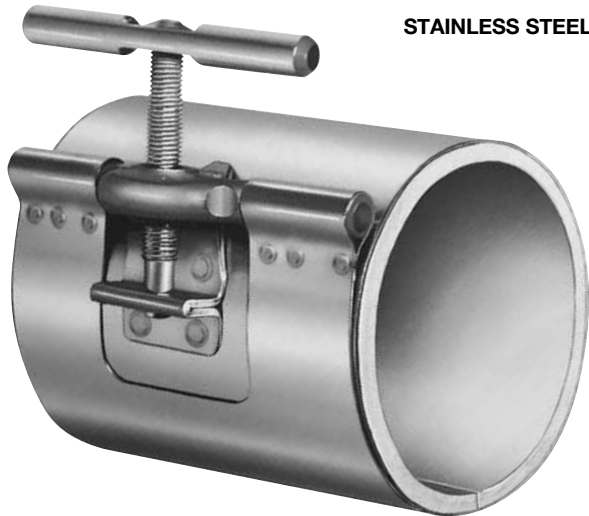


Gaskets For Compression Couplings For Tubing and Pipe

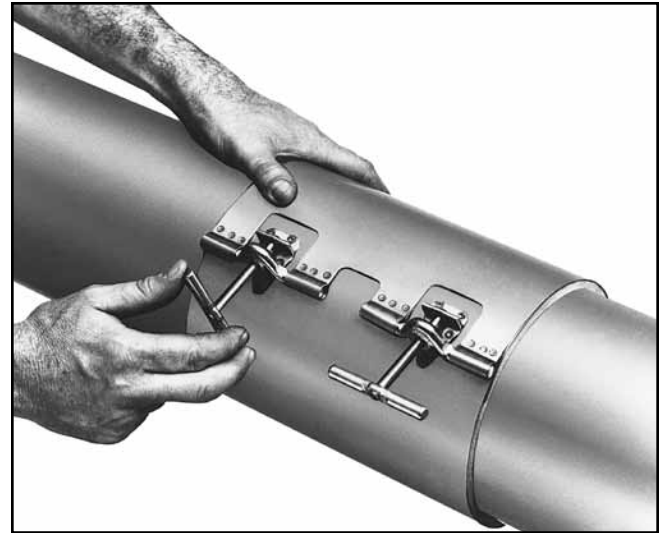
Tubing or Pipe Size	O.D. Tubing / Pipe	Morris Coupling Code	Standard Black Neoprene Gasket	Food Grade White Neoprene Gasket
			PIC No.	PIC No.
1/2" Pipe	0.840	1/2-2C	3500842B2	3500842W2
3/4" Pipe	1.050	3/4-2C	3501052B2	3501052W2
1" Tubing	1.000	1-2C-OD	3501002B2	3501002W2
1" Pipe	1.315	1-2C	3501312B2	3501312W2
1-1/4" Tubing	1.250	1-1/4-2C-OD	3501252B2	3501252W2
1-1/4" Pipe	1.660	1-1/4-2C	3501662B2	3501662W2
	1.660	1-1/4-3C	3501663B2	3501663W2
1-1/2" Tubing	1.500	1-1/2-2C-OD	3501502B2	3501502W2
	1.500	1-1/2-3C-OD	3501503B2	3501503W2
1-1/2" Pipe	1.900	1-1/2-2C	3501902B2	3501902W2
	1.900	1-1/2-3C	3501903B2	3501903W2
1-3/4" Tubing	1.750	1-3/4-2C-OD	3501752B2	3501752W2
	1.750	1-3/4-3C-OD	3501753B2	3501753W2
2" Tubing	2.000	2-2C-OD	3502002B2	3502002W2
	2.000	2-3C-OD	3502003B2	3502003W2
2" Pipe	2.375	2-2C	3502372B2	3502372W2
	2.375	2-3C	3502373B2	3502373W2
	2.375	2-4C	3502374B2	3502374W2
2-1/8" Tubing	2.125	2-1/8-2C-OD	3502122B2	3502122W2
	2.125	2-1/8-3C-OD	3502123B2	3502123W2
2-3/16" Tubing	2.187	2-3/16-2C-OD	3502182B2	3502182W2
	2.187	2-3/16-3C-OD	3502183B2	3502183W2
2-1/4" Tubing	2.250	2-1/4-2C-OD	3502252B2	3502252W2
	2.250	2-1/4-3C-OD	3502253B2	3502253W2
2-1/2" Tubing	2.500	2-1/2-2C-OD	3502502B2	3502502W2
	2.500	2-1/2-3C-OD	3502503B2	3502503W2
2-1/2" Pipe	2.875	2-1/2-2C	3502872B2	3502872W2
	2.875	2-1/2-3C	3502873B2	3502873W2
	2.875	2-1/2-4C	3502874B2	3502874W2
2-3/4" Tubing	2.750	2-3/4-3C-OD	3502753B2	3502753W2
3" Tubing	3.000	3-2C-OD	3503002B2	3503002W2
	3.000	3-3C-OD	3503003B2	3503003W2
	3.000	3-4C-OD	3503004B2	3503004W2
3" Pipe	3.500	3-2C	3503502B2	3503502W2
	3.500	3-3C	3503503B2	3503503W2
	3.500	3-4C	3503504B2	3503504W2
3-1/4" Tubing	3.250	3-1/4-2C-OD	3503252B2	3503252W2
	3.250	3-1/4-3C-OD	3503253B2	3503253W2
	3.250	3-1/4-4C-OD	3503254B2	3503254W2
3-1/2" Tubing	3.500	3-2C	3503502B2	3503502W2
	3.500	3-3C	3503503B2	3503503W2
	3.500	3-4C	3503504B2	3503504W2
3-1/2" Pipe	4.000	3-1/2-2C	3504002B2	3504002W2
	4.000	3-1/2-3C	3504003B2	3504003W2
	4.000	3-1/2-4C	3504004B2	3504004W2
3-3/4" Tubing	3.750	3-3/4-3C-OD	3503753B2	3503753W2
	3.750	3-3/4-4C-OD	3503754B2	3503754W2
4" Tubing	4.000	3-1/2-2C	3504002B2	3504002W2
	4.000	3-1/2-3C	3504003B2	3504003W2
	4.000	3-1/2-4C	3504004B2	3504004W2
4" Pipe	4.500	4-2C	3504502B2	3504502W2
	4.500	4-3C	3504503B2	3504503W2
	4.500	4-4C	3504504B2	3504504W2
4-1/4" Tubing	4.250	4-1/4-3C-OD	3504253B2	3504253W2
	4.250	4-1/4-4C-OD	3504254B2	3504254W2
4-1/2" Tubing	4.500	4-2C	3504502B2	3504502W2
	4.500	4-3C	3504503B2	3504503W2
	4.500	4-4C	3504504B2	3504504W2

Tubing or Pipe Size	O.D. Tubing / Pipe	Morris Coupling Code	Standard Black Neoprene Gasket	Food Grade White Neoprene Gasket
			PIC No.	PIC No.
4-1/2" Pipe	5.000	4-1/2-2C	3505002B2	3505002W2
	5.000	4-1/2-3C	3505003B2	3505003W2
	5.000	4-1/2-4C	3505004B2	3505004W2
4-3/4" Tubing	4.750	4-3/4-3C-OD	3504753B2	3504753W2
	4.750	4-3/4-4C-OD	3504754B2	3504754W2
5" Tubing	5.000	4-1/2-2C	3505002B2	3505002W2
	5.000	4-1/2-3C	3505003B2	3505003W2
	5.000	4-1/2-4C	3505004B2	3505004W2
5" Pipe	5.563	5-2C	3505562B2	3505562W2
	5.563	5-3C	3505563B2	3505563W2
	5.563	5-4C	3505564B2	3505564W2
5-1/4" Tubing	5.250	5-1/4-3C-OD	3505253B2	3505253W2
5-1/2" Tubing	5.500	5-1/2-3C-OD	3505503B2	3505503W2
	5.500	5-1/2-4C-OD	3505504B2	3505504W2
5-3/4" Tubing	5.750	5-3/4-3C-OD	3505753B2	3505753W2
	5.750	5-3/4-4C-OD	3505754B2	3505754W2
6" Tubing	6.000	6-2C-OD	3506002B2	3506002W2
	6.000	6-3C-OD	3506003B2	3506003W2
	6.000	6-4C-OD	3506004B2	3506004W2
	6.000	6-5C-OD	3506005B2	3506005W2
6" Pipe	6.625	6-2C	3506622B2	3506622W2
	6.625	6-3C	3506623B2	3506623W2
	6.625	6-4C	3506624B2	3506624W2
	6.625	6-5C	3506625B2	3506625W2
6-1/4" Tubing	6.250	6-1/4-3C-OD	3506253B2	3506253W2
	6.250	6-1/4-4C-OD	3506254B2	3506254W2
6-1/2" Tubing	6.500	6-1/2-3C-OD	3506503B2	3506503W2
	6.500	6-1/2-4C-OD	3506504B2	3506504W2
6-3/4" Tubing	6.750	6-3/4-3C-OD	3506753B2	3506753W2
	6.750	6-3/4-4C-OD	3506754B2	3506754W2
7" Tubing	7.000	7-3C-OD	3507003B2	3507003W2
	7.000	7-4C-OD	3507004B2	3507004W2
	7.000	7-5C-OD	3507005B2	3507005W2
7-1/4" Tubing	7.250	7-1/4-3C-OD	3507253B2	3507253W2
7-1/2" Tubing	7.500	7-1/2-3C-OD	3507503B2	3507503W2
	7.500	7-1/2-4C-OD	3507504B2	3507504W2
7-3/4" Tubing	7.750	7-3/4-3C-OD	3507753B2	3507753W2
8" Tubing	8.000	8-2C-OD	3508002B2	3508002W2
	8.000	8-3C-OD	3508003B2	3508003W2
	8.000	8-4C-OD	3508004B2	3508004W2
	8.000	8-5C-OD	3508005B2	3508005W2
8" Pipe	8.625	8-2C	3508622B2	3508622W2
	8.625	8-3C	3508623B2	3508623W2
	8.625	8-4C	3508624B2	3508624W2
	8.625	8-5C	3508625B2	3508625W2
9" Tubing	9.000	9-3C-OD	3509003B2	3509003W2
	9.000	9-4C-OD	3509004B2	3509004W2
10" Tubing	10.000	10-3C-OD	3510003B2	3510003W2
	10.000	10-4C-OD	3510004B2	3510004W2
	10.000	10-5C-OD	3510005B2	3510005W2
10" Pipe	10.750	10-3C	3510753B2	3510753W2
	10.750	10-4C	3510754B2	3510754W2
	10.750	10-5C	3510755B2	3510755W2
12" Tubing	12.000	12-3C-OD	3512003B2	3512003W2
	12.000	12-4C-OD	3512004B2	3512004W2
	12.000	12-5C-OD	3512005B2	3512005W2
12" Pipe	12.750	12-3C	3512753B2	3512753W2
	12.750	12-4C	3512754B2	3512754W2
	12.750	12-5C	3512755B2	3512755W2

Quickon II Couplers



STAINLESS STEEL



FOR PNEUMATIC OR VACUUM CONVEYING SYSTEMS

Morris Quickon II Couplers can be installed or removed with a twist of the wrist. No tools or special skills needed. The positive-locking system turns easily to seal or to compensate for normal O.D. pipe or tubing tolerances.

This in-line Coupler is ideal for use where fast takedown and reassembly of lines is essential; reduced coupler weight is desirable; a line or system is frequently modified or wrap-around installation is necessary.

QUICKON II COUPLER

O.D. Size (in.)	Code No.	Wt. (lbs.)	Food-Grade Gum Gasket	
			PIC No.	
1.500	1501	.58	2401501G2	
1.660	1661	.60	2401661G2	
1.750	1751	.62	2401751G2	
1.900	1901	.65	2401901G2	
2.000	2001	.68	2402001G2FG	
2.125	2121	.70	2402121G2	
2.250	2251	.71	2402251G2	
2.375	2371	.74	2402371G2	
2.500	2501	.77	2402501G2FG	
2.750	2751	.80	2402751G2	
2.875	2871	.84	2402871G2	
3.000	3001	.88	2403001G2FG	
3.250	3251	.97	2403251G2	
3.500	3501	1.06	2403501G2FG	
3.750	3751	1.15	2403751G2	
4.000	4001	1.25	2404001G2FG	
4.250	4251	1.32	2404251G2	
4.500	4501	1.40	2404501G2FG	
5.000	5001	1.55	2405001G2FG	
5.563	5561	1.63	2405561G2	
6.000	6001	1.72	2406001G2FG	
6.250	6251	1.78	2406251G2	
6.625	6621	1.82	2406621G2	
8.000	8001	2.25	2408001G2FG	
8.625	8621	2.38	2408621G2	
9.000	9001	2.45	2409001G2	
10.000	10001	2.65	2410001G2	

STANDARD QUICKON II COUPLERS LISTED ARE 4" IN LENGTH.

DUAL QUICKON II COUPLER

O.D. Size (in.)	Code No.	Food-Grade Gum Gasket	
		PIC No.	
4.000	2-4001	2804002G2	
4.500	2-4501	2804502G2	
5.000	2-5001	2805002G2	
6.000	2-6001	2806002G2	
6.625	2-6621	2806622G2	
8.000	2-8001	2808002G2	
8.625	2-8621	2808622G2	
10.000	2-10001	2810002G2	
10.750	2-10751	2810752G2	
12.000	2-12001	2812002G2	
12.750	2-12751	2812752G2	

DUAL QUICKON II COUPLERS LISTED ARE 9-1/2" IN LENGTH.

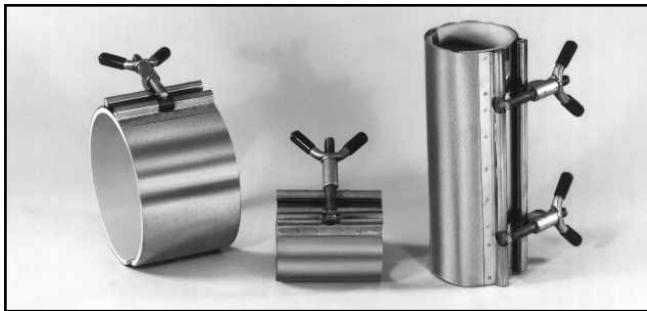
Specifications

All stainless-steel construction including band, strike plate, handle screw and yoke. Gasket is abrasion-resistant, gum rubber attached to band. Static-conducting grounding strip included on request.

Order by O.D. Size, Code No., and Gasket.

Prices subject to change without notice.

Morris Gripper™ Couplers



The GRIPPER was devised as a quick coupler for dry, bulk transport, tank tubing. This unique coupling just slides onto the tubing or wraps around it and is tightened by hand in seconds, but it provides better support than rubber hose and band clamps. The GRIPPER's positive-sealing gum gaskets allow for tube and pipe variations. And, because it's made of 100% stainless steel, it will not corrode due to harsh weather or road conditions. Silicone gaskets that comply with applicable FDA requirements are available upon request.

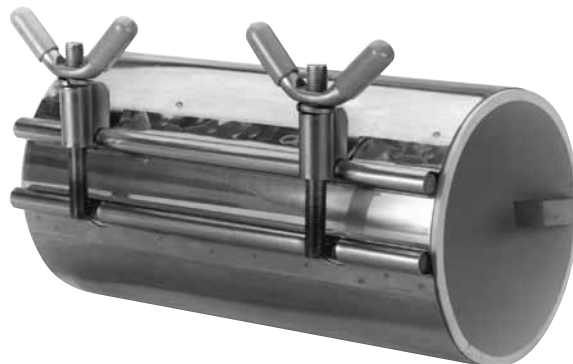
Single Wingnut Coupler

A O.D. Size (in.)	Code No.	Wt. (lbs.)	Food-Grade Gum Gasket
			Gripper PIC No.
1.500	1501	0.58	2401501G2MB
1.660	1661	0.60	2401661G2MB
1.750	1751	0.62	2401751G2MB
1.900	1901	0.65	2401901G2MB
2.000	2001	0.68	2402001G2FGMB
2.125	2121	0.70	2402121G2MB
2.250	2251	0.71	2402251G2MB
2.375	2371	0.74	2402371G2MB
2.500	2501	0.77	2402501G2FGMB
2.750	2751	0.80	2402751G2MB
2.875	2871	0.84	2402871G2MB
3.000	3001	0.88	2403001G2FGMB
3.250	3251	0.97	2403251G2MB
3.500	3501	1.06	2403501G2FGMB
3.750	3751	1.15	2403751G2MB
4.000	4001	1.25	2404001G2FGMB
4.250	4251	1.32	2404251G2MB
4.500	4501	1.40	2404501G2FGMB
5.000	5001	1.55	2405001G2FGMB
5.563	5561	1.63	2405561G2MB
6.000	6001	1.72	2406001G2FGMB
6.250	6251	1.78	2406251G2MB
6.625	6621	1.82	2406621G2MB
8.000	8001	2.25	2408001G2FGMB
8.625	8621	2.38	2408621G2MB
9.000	9001	2.45	2409001G2MB
10.000	10001	2.65	2410001G2MB

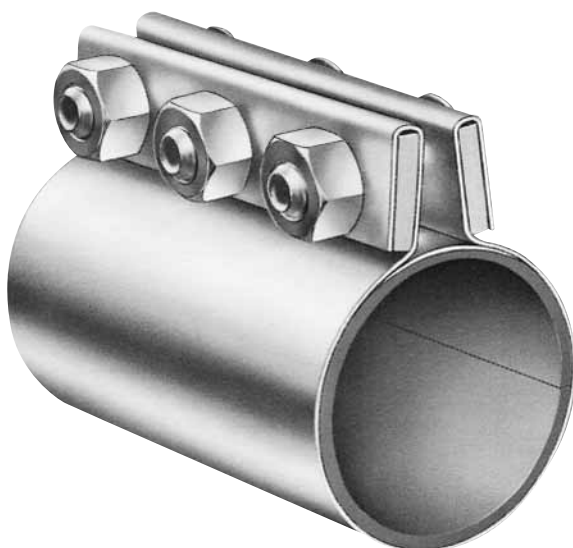


Double Wingnut Coupler

B O.D. Size (in.)	Code No.	Food-Grade Gum Gasket
		Gripper PIC No.
4.000	2-4001	2804002G2MB
4.500	2-4501	2804502G2MB
5.000	2-5001	2805002G2MB
6.000	2-6001	2806002G2MB
6.625	2-6621	2806622G2MB
8.000	2-8001	2808002G2MB
8.625	2-8621	2808622G2MB
10.000	2-10001	2810002G2MB
10.750	2-10751	2810752G2MB
12.000	2-12001	2812002G2MB
12.750	2-12751	2812752G2MB



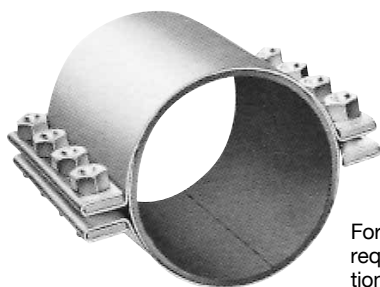
All (A) Round Stainless-Steel Couplings/Repair Clamps



- **To Join System Piping**
- **To Repair Piping**

This spanner-type combination coupling and repair clamp offers many advantages. It is quickly and easily installed by slipping on, or wrapping around, the pipe. This is because the spanner and gasket are permanently attached to the band, creating, in effect, a one-piece coupling/clamp. The thick, resilient, Neoprene gasket assures a positive butt-joint seal. It accommodates surface variations such as encountered in cast iron and fiberglass piping. The spanner design eliminates the need for a separate inner sleeve. The stainless steel All (A) Round Coupling/Repair Clamp offers a lightweight and economical unit which is strong and durable.

Nom. Pipe Size	Morris Code No.	Length	No. of Bolts	Size of Bolts	Gasket Thickness	With Carbon Steel Zinc Plated Bolts	With #304 Stainless Bolts
						PIC No.	
2"	2 x 6-IP	6"	3	1/2 x 1-3/4	1/8"	8102373B0	O N R E Q U E S T
	2 x 8-IP	8"	4	1/2 x 1-3/4	1/8"	8102374B0	
	2 x 10-IP	10"	5	1/2 x 1-3/4	1/8"	8102375B0	
	2 x 12-IP	12"	6	1/2 x 1-3/4	1/8"	8102376B0	
3"	3 x 6-IP	6"	3	5/8 x 2	3/16"	8103503B0	
	3 x 8-IP	8"	4	5/8 x 2	3/16"	8103504B0	
	3 x 10-IP	10"	5	5/8 x 2	3/16"	8103505B0	
	3 x 12-IP	12"	6	5/8 x 2	3/16"	8103506B0	
4"	4 x 6-IP	6"	3	5/8 x 2	3/16"	8104503B0FG	
	4 x 8-IP	8"	4	5/8 x 2	3/16"	8104504B0FG	
	4 x 10-IP	10"	5	5/8 x 2	3/16"	8104505B0	
	4 x 12-IP	12"	6	5/8 x 2	3/16"	8104506B0	
6"	6 x 6-IP	6"	3	5/8 x 2	1/4"	8106623B0FG	
	6 x 8-IP	8"	4	5/8 x 2	1/4"	8106624B0FG	
	6 x 10-IP	10"	5	5/8 x 2	1/4"	8106625B0	
	6 x 12-IP	12"	6	5/8 x 2	1/4"	8106626B0	
8"	8 x 6-IP	6"	2	3/4 x 3	1/4"	8108622B0	
	8 x 8-IP	8"	3	3/4 x 3	1/4"	8108623B0FG	
	8 x 10-IP	10"	4	3/4 x 3	1/4"	8108624B0	
	8 x 12-IP	12"	5	3/4 x 3	1/4"	8108625B0	
	8 x 16-IP	16"	6	3/4 x 3	1/4"	8108626B0	
	10"	10 x 8-IP	8"	3	3/4 x 3	1/4"	8110753B0
10 x 10-IP		10"	4	3/4 x 3	1/4"	8110754B0	
10 x 12-IP		12"	5	3/4 x 3	1/4"	8110755B0	
10 x 16-IP		16"	6	3/4 x 3	1/4"	8110756B0	
12"	12 x 8-IP	8"	3	3/4 x 3	1/4"	8112753B0	
	12 x 10-IP	10"	4	3/4 x 3	1/4"	8112754B0	
	12 x 12-IP	12"	5	3/4 x 3	1/4"	8112755B0	
	12 x 16-IP	16"	6	3/4 x 3	1/4"	8112756B0	



For nominal pipe sizes over 12", request prices and specifications for Morris Double-Spanner Combination Couplings/Repair Clamps.

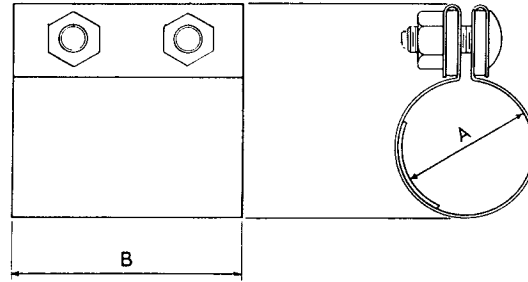
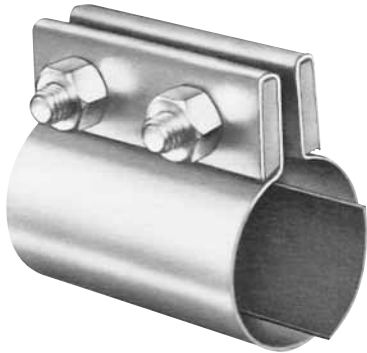
Specifications:

Band and spanner 304 stainless steel.
Butt joint Neoprene gasket.
Bar washers zinc-plated steel.
Carriage-type bolts and heavy hex nuts are zinc-plated carbon steel or 304 stainless steel.
For other materials to meet special needs, consult factory.

To Order:

Order by pipe size and Morris Code Number PLUS outside diameter and kind of pipe or duct. THIS IS IMPORTANT TO YOU. Failure to do this will result in delay in shipping your order until we have this information.
All shipments F.O.B. Erie, PA.
Prices subject to change without notice.

Single-Type Repair Clamp



The **Morris Single-Type Repair Clamp** is suitable for the quick repair of minor leaks in all types of pipe. It consists of an outer shell of zinc-plated steel, together with a single-strip neoprene gasket. When other than steel clamps and neoprene gaskets are required, specifications should be stated on special order. Prices on other than stock sizes are available on request.

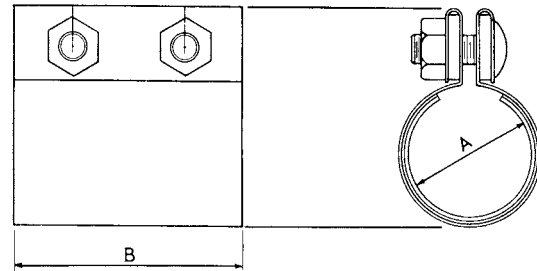
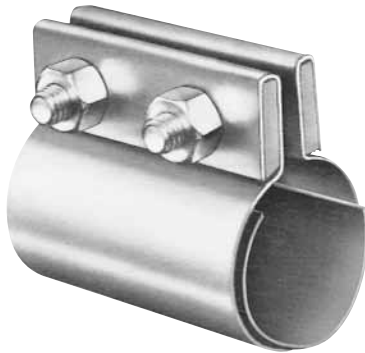
Nominal Pipe Size (I.P.S.)	O.D. of Pipe (A) (in.)	Morris Clamp Code No.	Clamp Length (B)	No. of Bolts	Size of Bolts	Weight (lbs.)	BLACK Gasket*
							PIC No.
1/2"	.840	1/2-2S	2"	2	5/16 x 1-1/4	.41	2000842B0
3/4"	1.050	3/4-2S	2"	2	5/16 x 1-1/4	.45	2001051B0
1"	1.315	1-1S	2"	1	1/2 x 1-3/4	.62	2001311B0
	1.315	1-2S	4"	2	1/2 x 1-3/4	1.2	2001312B0
1-1/4"	1.660	1-1/4-1S	2"	1	1/2 x 1-3/4	.75	2001661B0
	1.660	1-1/4-2S	4"	2	1/2 x 1-3/4	1.5	2001662B0
1-1/2"	1.900	1-1/2-1S	2"	1	1/2 x 1-3/4	.83	2001901B0
	1.900	1-1/2-2S	4"	2	1/2 x 1-3/4	1.6	2001902B0
2"	2.375	2-1S	2"	1	1/2 x 1-3/4	1.3	2002371B0
	2.375	2-2S	4"	2	1/2 x 1-3/4	2.2	2002372B0
	2.375	2-3S	6"	3	1/2 x 1-3/4	3.0	2002373B0
	2.375	2-4S	8"	4	1/2 x 1-3/4	4.1	2002374B0
2-1/2"	2.875	2-1/2-1S	2"	1	1/2 x 1-3/4	1.5	2002871B0
	2.875	2-1/2-2S	4"	2	1/2 x 1-3/4	2.3	2002872B0
	2.875	2-1/2-3S	6"	3	1/2 x 1-3/4	3.2	2002873B0
	2.875	2-1/2-4S	8"	4	1/2 x 1-3/4	4.4	2002874B0
3"	3.500	3-1S	2"	1	5/8 x 2	1.6	2003501B0
	3.500	3-2S	4"	2	5/8 x 2	2.5	2003502B0
	3.500	3-3S	6"	3	5/8 x 2	3.3	2003503B0
	3.500	3-4S	8"	4	5/8 x 2	4.6	2003504B0
3-1/2"	4.000	3-1/2-2S	4"	2	5/8 x 2	2.7	2004002B0
	4.000	3-1/2-3S	6"	3	5/8 x 2	3.5	2004003B0
	4.000	3-1/2-4S	8"	4	5/8 x 2	4.8	2004004B0
4"	4.500	4-2S	4"	2	5/8 x 2	2.9	2004502B0
	4.500	4-3S	6"	3	5/8 x 2	3.9	2004503B0
	4.500	4-4S	8"	4	5/8 x 2	5.1	2004504B0
5"	5.563	5-2S	4"	2	5/8 x 2	3.1	2005562B0
	5.563	5-3S	6"	3	5/8 x 2	4.2	2005563B0
	5.563	5-4S	8"	4	5/8 x 2	5.5	2005564B0
6"	6.625	6-2S	4"	2	5/8 x 2	3.4	2006622B0
	6.625	6-3S	6"	3	5/8 x 2	4.9	2006623B0
	6.625	6-4S	8"	4	5/8 x 2	6.4	2006624B0
8"	8.625	8-2S	6"	2	3/4 x 3	6.7	2008622B0
	8.625	8-3S	8"	3	3/4 x 3	9.6	2008623B0
	8.625	8-4S	10"	4	3/4 x 3	11.2	2008624B0
	8.625	8-5S	12"	5	3/4 x 3	13.6	2008625B0
10"	10.750	10-2S	6"	2	3/4 x 3	7.2	2010752B0
	10.750	10-3S	8"	3	3/4 x 3	10.7	2010753B0
	10.750	10-4S	10"	4	3/4 x 3	14.1	2010754B0
	10.750	10-5S	12"	5	3/4 x 3	17.9	2010755B0
12"	12.750	12-2S	6"	2	3/4 x 3	8.1	2012752B0
	12.750	12-3S	8"	3	3/4 x 3	11.6	2012753B0
	12.750	12-4S	10"	4	3/4 x 3	15.0	2012754B0
	12.750	12-5S	12"	5	3/4 x 3	18.8	2012755B0
14"	14.000	14-2S	6"	2	3/4 x 3	9.0	2014002B0
	14.000	14-3S	8"	3	3/4 x 3	12.5	2014003B0
	14.000	14-4S	10"	4	3/4 x 3	15.9	2014004B0
	14.000	14-5S	12"	5	3/4 x 3	19.7	2014005B0

All shipments F.O.B. Erie, PA

Prices subject to change without notice.

*Neoprene

Double-Type Repair Clamp



The **Morris Double-Type Repair Clamp** is suitable for use on all classifications of piping repair work. It contains an inner sleeve as well as a gasket that covers two-thirds of the circumference of the pipe; may be used individually or in series.

Shell and sleeve are of heavy, zinc-plated steel – gasket is black neoprene. Other materials available on special order. Request prices on sizes not listed.

Nominal Pipe Size (I.P.S.)	O.D. of Pipe (A) (in.)	Morris Clamp Code No.	Clamp Length (B)	No. of Bolts	Size of Bolts	Weight (lbs.)	BLACK Gasket*
							PIC No.
1/2"	.840	1/2-2D	2"	2	5/16 x 1-1/4	.5	2100842B0
3/4"	1.050	3/4-2D	2"	2	5/16 x 1-1/4	.54	2101052B0
1"	1.315	1-2D	4"	2	1/2 x 1-3/4	1.6	2101312B0
1-1/4"	1.600	1-1/4-2D	4"	2	1/2 x 1-3/4	1.7	2101602B0
1-1/2"	1.900	1-1/2-2D	4"	2	1/2 x 1-3/4	1.8	2101902B0
2"	2.375	2-2D	4"	2	1/2 x 1-3/4	2.3	2102372B0
	2.375	2-3D	6"	3	1/2 x 1-3/4	3.3	2102373B0
	2.375	2-4D	8"	4	1/2 x 1-3/4	4.6	2102374B0
2-1/2"	2.875	2-1/2-2D	4"	2	1/2 x 1-3/4	3.6	2102872B0
	2.875	2-1/2-3D	6"	3	1/2 x 1-3/4	3.8	2102873B0
	2.875	2-1/2-4D	8"	4	1/2 x 1-3/4	5.0	2102874B0
3"	3.500	3-2D	4"	2	5/8 x 2	2.9	2103502B0
	3.500	3-3D	6"	3	5/8 x 2	4.2	2103503B0
	3.500	3-4D	8"	4	5/8 x 2	5.6	2103504B0
3-1/2"	4.000	3-1/2-2D	4"	2	5/8 x 2	3.2	2104002B0
	4.000	3-1/2-3D	6"	3	5/8 x 2	4.5	2104003B0
	4.000	3-1/2-4D	8"	4	5/8 x 2	5.9	2104004B0
4"	4.500	4-2D	4"	2	5/8 x 2	3.5	2104502B0
	4.500	4-3D	6"	3	5/8 x 2	4.8	2104503B0
	4.500	4-4D	8"	4	5/8 x 2	6.1	2104504B0
4-1/2"	5.000	4-1/2-2D	4"	2	5/8 x 2	3.8	2105002B0
	5.000	4-1/2-3D	6"	3	5/8 x 2	5.1	2105003B0
	5.000	4-1/2-4D	8"	4	5/8 x 2	6.3	2105004B0
5"	5.563	5-2D	4"	2	5/8 x 2	4.1	2105562B0
	5.563	5-3D	6"	3	5/8 x 2	5.4	2105563B0
	5.563	5-4D	8"	4	5/8 x 2	6.5	2105564B0
6"	6.625	6-2D	4"	2	5/8 x 2	4.7	2106622B0
	6.625	6-3D	6"	3	5/8 x 2	6.0	2106623B0
	6.625	6-4D	8"	4	5/8 x 2	7.1	2106624B0
	6.625	6-5D	10"	5	5/8 x 2	8.3	2106625B0
8"	8.625	8-2D	6"	2	3/4 x 3	8.8	2108622B0
	8.625	8-3D	8"	3	3/4 x 3	12.8	2108623B0
	8.625	8-4D	10"	4	3/4 x 3	16.4	2108624B0
	8.625	8-5D	12"	5	3/4 x 3	19.9	2108625B0
10"	10.750	10-2D	6"	2	3/4 x 3	10.8	2110752B0
	10.750	10-3D	8"	3	3/4 x 3	14.7	2110753B0
	10.750	10-4D	10"	4	3/4 x 3	18.4	2110754B0
	10.750	10-5D	12"	5	3/4 x 3	22.2	2110755B0
12"	12.750	12-2D	6"	2	3/4 x 3	13.1	2112752B0
	12.750	12-3D	8"	3	3/4 x 3	17.7	2112753B0
	12.750	12-4D	10"	4	3/4 x 3	22.3	2112754B0
	12.750	12-5D	12"	5	3/4 x 3	26.8	2112755B0
14"	14.000	14-3D	8"	3	3/4 x 3	18.8	2114003B0
	14.000	14-4D	10"	4	3/4 x 3	23.6	2114004B0
	14.000	14-5D	12"	5	3/4 x 3	28.5	2114005B0

All shipments F.O.B. Erie, PA

Prices subject to change without notice.

*Neoprene

Morris PVC Flexible Hose

Four distinct types to meet varying application needs.

Morris offers material-handling hoses to meet the wide variety of bulk conveying system requirements which may be encountered. Flexible hose is suitable for both vacuum and pressure-discharge service.

Morris hoses are ideal for conveying pellets, granular material and powdery substances. Flexible hose offers a fast, convenient method of finishing a pneumatic conveying system.

Morris also offers clamps to help complete your installation.



MORR-CLEAR™ Economical Food-Grade PVC Transfer Hose

Our most popular material-handling hose features a clear PVC tube with a smooth bore to provide excellent material flow rates. A clear, rigid, external PVC helix reinforcement enables user to visually monitor flow of material.

High-density PVC materials are known for their ability to withstand abrasion. Hose construction provides good flexibility with light weight. Hose carries FDA “3A Dairy” rating. Operating temperature range from 10°F to 150°F.

MORR-CLEAR Number	I.D. (inch)	O.D. (inch)	Working Pressure (psi)	Vacuum Rating (inch HG)	Bend Radius (inch)	Weight (lbs./ft.)	Standard Coils (ft.)
MC150	1.5	1.81	50	29	3.2	0.31	50
MC45M	45mm	2.05	40	29	3.2	0.42	50
MC200	2	2.43	40	29	3.2	0.42	50
MC250	2.5	3.00	35	29	4.5	0.65	50
MC300	3	3.58	35	29	6.5	0.85	50
MC400	4	4.68	35	15	10.4	1.30	50
MC500	5	5.65	30	10	21.0	1.50	50
MC600	6	6.72	30	10	29.4	2.20	25

MORR-CLEAR™ STATIC Food-Grade PVC Hose with Static-Dissipating Ground Wire

This is the same durable lightweight hose described above. The only difference is MORR-CLEAR STATIC contains an integral wire to assure a positive ground where static build-up is a concern.

MORR-CLEAR STATIC Number	I.D. (inch)	O.D. (inch)	Working Pressure (psi)	Vacuum Rating (inch HG)	Bend Radius (inch)	Weight (lbs./ft.)	Standard Coils (ft.)
MS150	1.5	1.81	50	29	3.2	0.31	50
MS45M	45mm	2.05	40	29	3.2	0.42	50
MS200	2	2.43	40	29	3.2	0.42	50
MS250	2.5	3.00	35	29	4.5	0.65	50
MS300	3	3.58	35	29	6.5	0.85	50
MS400	4	4.68	35	15	10.4	1.30	50
MS500	5	5.65	30	10	21.0	1.50	50
MS600	6	6.72	30	10	29.4	2.20	25

MORR-THANE™

Extended Performance High-Density Polyurethane Transfer Hose

Hose is made from a high-density polyurethane formulation for extended life when handling abrasive materials. Hose has a smooth bore to provide excellent material flow rates. Corrugated construction provides good flexibility and light weight making hose easy to use. Hose remains flexible at sub-zero temperatures from -30°F to 150°F.

MORR-THANE Number	I.D. (inch)	O.D. (inch)	Working Pressure (psi)	Vacuum Rating (inch HG)	Bend Radius (inch)	Weight (lbs./ft.)	Standard Coils (ft.)
MT150	1.5	1.86	75	29	3.9	0.42	100
MT200	2	2.42	65	29	5.5	0.68	100
MT250	2.5	3.04	50	29	7.0	1.08	100
MT300	3	3.64	50	29	8.0	1.35	100
MT400	4	4.77	50	29	14.0	2.33	100
MT500	5	5.75	45	29	20.0	2.95	50
MT600	6	7.00	35	25	25.0	3.44	50
MT800	8	9.20	25	25	48.0	6.48	20

Standard MORR-THANE is blue. Upon request, it is available clear with static wire. Contact Erie for pricing.

MORR-TUFF™

Material Hose For Severe Service

MORR-TUFF is specifically designed for unloading pellets from rail cars, handling sand blast grit, and the transfer of grain and other severe applications.

MORR-TUFF is a blend of Nitrile, polyurethane and PVC that makes it flexible, lightweight and easy to handle – even in the large sizes. Compared to rubber and metal hoses, MORR-TUFF offers a low-cost alternative. The outer black cover is static dissipating and ozone resistant. Operating temperature from -30°F to 150°F.

MORR-TUFF Number	I.D. (inch)	O.D. (inch)	Working Pressure (psi)	Vacuum Rating (inch HG)	Bend Radius (inch)	Weight (lbs./ft.)	Standard Coils (ft.)
MF150	1.5	1.94	45	29	3.2	0.42	100
MF200	2	2.50	45	29	5.5	0.65	100
MF300	3	3.77	40	29	7.5	1.31	100
MF400	4	4.85	40	29	11.0	1.70	100
MF500	5	5.95	40	29	15.0	2.60	100
MF600	6	7.08	40	29	20.0	3.21	50
MF800	8	9.28	30	29	30.0	6.10	20

Morris Hose Accessories MORR-TITE™ Hose Clamps



Hose Clamps Galvanized steel saddle, nuts and washers with electroplated, spiral-thread bolts.

Spiral Double Bolt Clamps

Hose I.D.	Clockwise Part Numbers	Counterclockwise Part Numbers
1-1/2"	SDBC-0150R	SDBC-0150L
2"	SDBC-0200R	SDBC-0200L
2-1/2"	SDBC-0250R	SDBC-0250L
3"	SDBC-0300R	SDBC-0300L
4"	SDBC-0400R	SDBC-0400L
5"	SDBC-0500R	SDBC-0500L
6"	SDBC-0600R	SDBC-0600L
8"	SDBC-0800R	SDBC-0800L
10"	SDBC-1000R	SDBC-1000L

Features/Benefits

- Higher Grip Capacity
- Increase Holding Capacity
- Accommodates Both Clockwise and Counterclockwise Helix
- Smaller Size Design Envelope
- Optional Stainless-Steel Construction

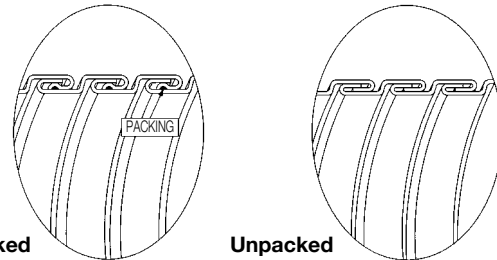
Morris Metal Flexible Hose



General Purpose Metal Flex Hose

This unlined general purpose hose features interlocked construction formed from a single metal strip. The balanced interlocking manufacturing process provides for maximum flexibility and longest service life. Pressure and vacuum capabilities may be easily enhanced by the selection of an appropriate packing material.

The unlined metal flex-hose is available in various alloys, metal strip thicknesses and in diameters from 1-1/2" through 8" I.D. Interlocked hose is available in any length and can be provided in bulk or fabricated assemblies.



Inside Dia. (In.)	Strip Thickness											
	10		15		18		25		30		20	
	Material Code G, S		Material Code G, S		Material Code G, S, 6		Material Code G, S		Material Code G		Material Code A	
	Weight Per Foot (Lbs.)	Min. Bend Radius (In.)	Weight Per Foot (Lbs.)	Min. Bend Radius (In.)	Weight Per Foot (Lbs.)	Min. Bend Radius (In.)	Weight Per Foot (Lbs.)	Min. Bend Radius (In.)	Weight Per Foot (Lbs.)	Min. Bend Radius (In.)	Weight Per Foot (Lbs.)	Min. Bend Radius (In.)
1-1/2	0.5	6	0.7	6	0.9	6	1.3	7				
2	0.7	8	1.0	8	1.1	8	1.7	9	2.0	11		
2-1/2	0.8	10	1.2	10	1.4	10	2.1	11	2.5	13		
3	1.0	11	1.4	12	1.6	12	2.5	13	2.9	14	0.7	14
3-1/2	1.1	13	1.6	14	1.9	14	2.8	15	3.4	16	0.8	16
4	1.2	14	1.8	16	2.2	16	3.2	17	3.8	18	0.9	18
4-1/2	1.4	17	2.0	17	2.4	17	3.6	19	4.3	20	1.0	20
5	1.5	18	2.2	19	2.7	19	4.0	21	4.7	22	1.1	22
6	1.8	21	2.7	23	3.2	23	4.7	25	5.6	26	1.3	26
7			3.1	27	3.7	27	5.5	29	6.5	30	1.5	30
8			3.5	30	4.2	30	6.2	33	7.4	34	1.8	34

NOTE: Other diameters are available on request.
 NOTE: For packed hose, add 10% to both Weight Per Foot and Minimum Bend Radius.

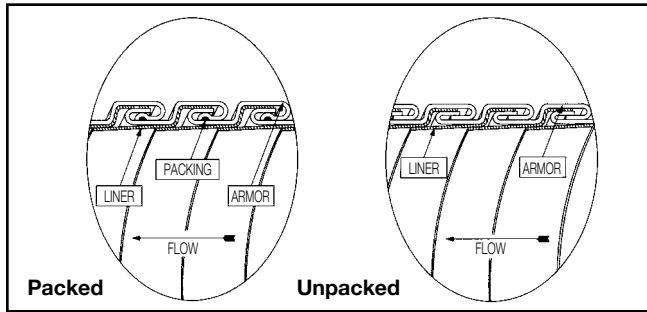
Packings Available For Increased Pressure and Vacuum Capabilities		
Packing Type	Features	Max. Temp.
Cotton	Most Economical Packing	180°F
Elastomeric	Provides Maximum Pressure and Vacuum Capability	200°F
Copper	For High Temperatures	800°F
High Temperature Fiber	Specially Coated High Temperature Filament	1,000°F
Stainless Steel	For Extreme Temperatures	1,200°F

Morris Material Codes

Materials

- A - Aluminum (unpacked only)
- G - Galvanized Steel
- S - T304 Stainless Steel
- 6 - T316 Stainless Steel

Technical data is meant to be used as a guide. If more specific information is required, please contact the factory.



☑ Metal Smooth-Bore Flex Hose

This smooth-bore hose is ideally suited for dry-bulk pneumatic conveying. This hose is produced with a durable outer armor and a highly abrasion-resistant liner. A precision manufacturing process makes this hose unequalled in strength and flexibility. Pressure and vacuum capabilities may be easily enhanced by the selection of an appropriate packing material.

The smooth-bore hose is available in various alloys, metal strip thicknesses, and in diameters from 1-1/2" through 8" I.D. Smooth bore hose is available in any length and can be provided in bulk or fabricated assemblies.

Inside Dia. (In.)	Strip Thickness							
	15		18		25		A 20	
	Material Code G, S / C, S, 4		Material Code G, S, 6 / C, S, 4		Material Code G, S / C, S		Material Code A / S	
	Weight Per Foot (Lbs.)	Min. Bend Radius (In.)	Weight Per Foot (Lbs.)	Min. Bend Radius (In.)	Weight Per Foot (Lbs.)	Min. Bend Radius (In.)	Weight Per Foot (Lbs.)	Min. Bend Radius (In.)
1-1/2	1.2	7	1.3	8				
2	1.6	9	1.7	10				
2-1/2	1.9	11	2.2	12				
3	2.3	13	2.6	14	3.2	18		
3-1/2	2.6	15	3.0	16	3.7	21		
4	3.0	17	3.4	18	4.2	23	2.1	23
4-1/2	3.4	19	3.8	21	4.7	26	2.3	26
5	3.7	21	4.2	23	5.2	29	2.6	29
6	4.5	25	5.0	27	6.2	34	3.1	34
7	5.2	29	5.8	32	7.2	40	3.6	40
8	5.9	33	6.6	36	8.2	45	4.1	45

NOTE: Other diameters are available on request.

NOTE: For packed hose, add 10% to both Weight Per Foot and Minimum Bend Radius.

Packings Available For Increased Pressure and Vacuum Capabilities		
Packing Type	Features	Max. Temp.
Cotton	Most Economical Packing	180°F
Elastomeric	Provides Maximum Pressure and Vacuum Capability	200°F
Copper	For High Temperatures	800°F
High Temperature Fiber	Specially Coated High Temperature Filament	1,000°F
Stainless Steel	For Extreme Temperatures	1,200°F

Morris Material Codes

Armor Materials:

A – Aluminum (unpacked only)
G – Galvanized Steel
S – T304 Stainless Steel
6 – T316 Stainless Steel

Liner Materials:

S – T301 Stainless Steel
4 – T410 Stainless Steel
C – Carbon Steel

Technical data is meant to be used as a guide. If more specific information is required, please contact the factory.



☑ Morris Custom-Fabricated Interlocked Hose Assemblies

State-of-the-art fabricating methods, combined with an extensive selection of Morris Ever-Tite® couplings, enable Morris to effectively supply any configuration of hose assemblies.

Typical end fittings include cam and groove connectors, pipe and tube nipples, flanges and hose shank adapters.

Maximum Steel and Fabrication Temperatures

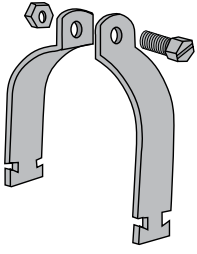
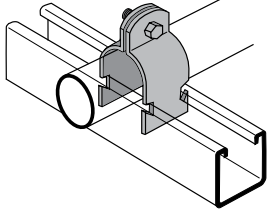
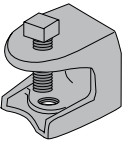
Steel Type	Maximum Temperature	Fabrication Technique	Maximum Temperature
Stainless Steel	1,750°F	Welding	1,200°F
Carbon Steel	850°F	Brazing	700°F
Galvanized Steel	450°F	Epoxy	250°F

Note: Epoxy may be used with all metal types. However, applications are limited to 250°F service.

Installation Components

	Description	Part Number	Quantity
1-5/8" Channel 	<ul style="list-style-type: none"> • Slotted channel. • 9/16" x 1-1/8" slots on 2" center. • 12-gauge roll-formed strip • Available in 10' and 20' lengths. • Standard finish galvanized. 	61G158CHNL-10 10' length	1
		61G158CHNL-20 20' length	1
Threaded Rod 	<ul style="list-style-type: none"> • Electro galvanized. • Available in 3/8" and 1/2" diameter. • 6' and 12' lengths. 	61G38ROD06 3/8" rod; 6' length	1
		61G38ROD12 3/8" rod; 12' length	1
		61G12ROD06 1/2" rod; 6' length	1
		61G12ROD12 1/2" rod; 12' length	1

	Description	Part Number	Quantity Per Box
Rod Couplers 	<ul style="list-style-type: none"> • Couplers to accommodate 3/8" and 1/2" rod. 	61G38CPL 3/8" coupler	100
		61G12CPL 1/2" coupler	100
Spring Nut 	<ul style="list-style-type: none"> • 3/8" – 16 and 1/2" – 13 spring nuts 	61G38SPNUT 3/8" – 16 spring nut	100
		61G12SPNUT 1/2" – 13 spring nut	100
Hex Nut 	<ul style="list-style-type: none"> • 3/8" – 16 and 1/2" – 13 nuts 	61G38HXNUT 3/8" – 16 nut	100
		61G12HXNUT 1/2" – 13 nut	100
Flat Washer 	<ul style="list-style-type: none"> • 3/8" and 1/2" flat washers 	61G38FLWASH 3/8" flat washer	100
		61G12FLWASH 1/2" flat washer	100
Lock Washer 	<ul style="list-style-type: none"> • 3/8" and 1/2" lock washers 	61G38LKWASH 3/8" lock washer	100
		61G12LKWASH 1/2" lock washer	100

	Description	Part Number	Quantity Per Box
Pipe Clamp 	<ul style="list-style-type: none"> Galvanized. Slotted hex-head screw and nut included. 	61G23CLMP 2" pipe	50
		61G27CLMP 2-1/2" pipe	50
		61G35CLMP 3" pipe	50
		61G40CLMP 3-1/2" pipe	25
		61G45CLMP 4" pipe	25
		61G558CLMP 5" pipe	25
		61G658CLMP 6" pipe	25
		61G858CLMP 8" pipe	25
Tube Clamp 	<ul style="list-style-type: none"> Galvanized. Slotted hex-head screw and nut included. 	61G15CLMP 1-1/2" tube	100
		61G20CLMP 2" tube	50
		61G21CLMP 2-1/8" tube	50
		61G22CLMP 2-1/4" tube	50
		61G25CLMP 2-1/2" tube	50
		61G30CLMP 3" tube	50
		61G35CLMP 3-1/2" tube	50
		61G40CLMP 4" tube	25
		61G45CLMP 4-1/2" tube	25
		61G50CLMP 5" tube	25
		61G60CLMP 6" tube	25
		61G80CLMP 8" tube	25
Beam Clamp 	<ul style="list-style-type: none"> With set screw for 3/8" and 1/2" rod. Standard finish galvanized. 	61G20BMCLP 3/8" beam clamp	10
		61G25BMCLP 1/2" beam clamp	10

NOTES:

- All prices for channel and threaded rod are per piece. Standard finish galvanized.
- Clamps, coupler and hardware items are sold in box quantity only. Box quantities are indicated for each item. Standard finish electro galvanized.
- Installation components are non-returnable.
- Prices F.O.B. Knoxville, TN.

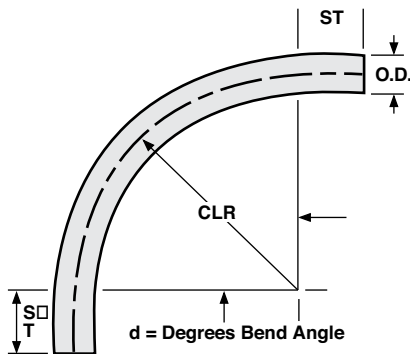
Pipe and Tube Bends for pneumatic systems, *short and long radius*



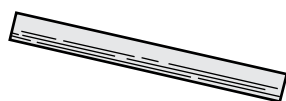
Tube Bending Capabilities

Pipe and tube bends of up to 180° are readily available in aluminum, stainless, carbon steel and galvanized in the sizes listed. Other centerline radii are available but not shown. Special shapes, 'U' bends, offsets, and bifurcated bends available upon request.

Morris tube bends are manufactured in our Knoxville, Tennessee, Plant.



Morris Pipe and Tubing Straights



Straight lengths of pipe and tubing are available in carbon steel, aluminum, and stainless – 1-1/2" O.D. thru 10" pipe in a variety of wall thicknesses.

ORDER BENDS by O.D., wall thickness, alloy, degree of bend, centerline radius and tangent.

WALL THICKNESS: 16 ga. (.063), 14 ga. (.083), and 11 ga. (.120) in tubing. Schedules 5, 10 and 40 pipe. Other wall thicknesses on request.

*Carbon Steel, Schedule 40 Only.

MATERIALS: Aluminum is 6063-T1 extruded. Stainless is T304 ASTM A312 for Pipe and T304 ASTM A249 for tubing. Carbon steel ASTM A53 for pipe; A513 for tubing. Galvanized A53 for galvanized coated. Pipe and A513 for galvanized-coated tubing.

TUBE SIZE	PIPE SIZE	OUTSIDE DIAMETER		COMMON CENTERLINE RADI (CLR) INCHES	STD. TANGENT (ST)
		INCHES	MILLIMETERS		
1"		1.0	25.4	3, 6, 12	4"
	1"	1.315	33.4	3, 5	4"
1-1/4"		1.25	31.8	3, 7.25	4"
	1-1/4"	1.660	42.2	6.25	4"
1-1/2"		1.5	38.1	2.5, 6, 7.5, 9, 12, 18, 24, 30, 36	4"
	1-1/2"	1.75	44.5	2.5, 8, 9, 15, 24, 30, 36, 48	4"
2"		1.9	48.3	5, 6, 7.5, 9, 10, 12, 18, 24, 30, 36, 48	4"
	2"	2.0	50.8	2.5, 3, 3.5, 4, 5, 6, 8.5, 9, 10, 12, 18, 24, 30, 36, 48	4"
2-1/8"		2.125	54.0	3, 5, 12, 24, 30, 36	4-1/4"
	2-1/8"	2.25	57.2	3, 9, 12, 15, 17, 24, 30, 36	4-1/2"
2-1/4"		2.375	60.2	6, 7.5, 10, 12, 17, 24, 30, 36, 48	4"
	2-1/4"	2.5	63.5	4, 6, 9, 12, 15, 17, 24, 30, 36, 48	5"
2-3/4"		2.75	69.9	2.75, 4, 17, 30, 36, 48	5-1/2"
	2-3/4"	2.875	73.0	12.5, 17, 24, 30, 36, 60*	5" *18"
3"		3.0	76.2	4, 4.5, 7.5, 9, 10, 12, 15, 18, 24, 30, 36, 48, 60*	6" *18"
3-1/4"		3.25	82.6	17, 30, 36	6-1/2"
3-1/2"	3"	3.5	88.9	3.5, 4.5, 6, 8.75, 12, 15, 16, 18, 24, 30, 36, 48	7"
3-3/4"		3.75	95.3	17, 24, 32, 36	7-1/2"
4"	3-1/2"	4.0	101.6	4, 5, 6, 7.75, 10, 12, 18, 20, 24, 30, 36, 48, 60	8"
4-1/4"		4.25	107.9	16, 30, 36	8-1/2"
4-1/2"	4"	4.5	114.3	6, 9, 12, 16, 18, 20, 24, 30, 36, 48, 60	9"
4-3/4"		4.75	120.7	36	9-1/2"
5"		5.0	127.0	5.5, 7.5, 12.5, 24, 30, 36, 42, 48, 60	10"
	5"	5.563	141.3	20, 30, 36, 42, 48, 60, 72*	10" *18"
5-1/2"		5.5	139.7	30, 36	11"
6"		6.0	152.4	9, 15, 24, 30, 36, 42, 48, 60, 72	12"
	6"	6.625	168.2	24, 30, 36, 42, 48, 60, 72	12"
8"		8.0	203.2	12, 20, 32, 48, 60, 72	16"
	8"	8.625	219.1	24, 32, 40, 42, 48, 60, 72	16"
	10"	10.75	273.1	40, 48, 50	20"
	12"	12.75	323.9	48, 60	24"

Capabilities subject to change without notice. For bends not shown on the list, please contact your sales representative.

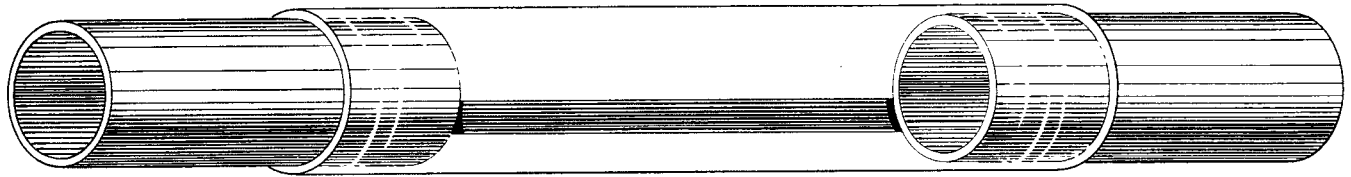
TEES			WYES						LATERALS							
OD	A	B	OD	30° C	30° D	45° C	45° D	60° C	60° D	OD	30° E	30° F	45° E	45° F	60° E	60° F
2"	16"	8"	2"	8"	8"	8"	8"	8"	8"	2"	8"	16"	8"	16"	8"	16"
3"	16"	8"	3"	8"	8"	8"	8"	8"	8"	3"	10"	20"	8"	16"	8"	16"
4"	16"	8"	4"	8"	8"	8"	8"	8"	8"	4"	12"	24"	10"	20"	10"	20"
4-1/2"	18"	9"	4-1/2"	10"	10"	10"	10"	10"	10"	4-1/2"	12"	24"	10"	20"	10"	20"
5"	18"	9"	5"	11"	11"	11"	11"	11"	11"	5"	15"	30"	12"	24"	12"	24"
6"	20"	10"	6"	12"	12"	12"	12"	12"	12"	6"	18"	36"	15"	30"	15"	30"
8"	24"	12"	8"	14"	14"	14"	14"	14"	14"	8"	22"	40"	18"	36"	18"	36"

ORDER TEES by tube or pipe size, wall thickness, and metal.

ORDER LATERALS and WYES by tube or pipe size, wall thickness, metal and degree of angle.

ODs not listed, available on request.

Sight Glasses



- clear look at the material flowing
- smooth “straight-thru” interior
- air-tight seal
- “sighting” section can be furnished in Pyrex

- a grounding strip, permanently attached, eliminates the build-up of static electricity
- fast, easy installation



TUBING OR PIPE INSERTED IN CLEAR ACRYLIC IN THE FOLLOWING SIZES:

Tubing Sizes with Aluminum Ends

Part No.	Overall O.D. “A”	Tube O.D. “B”	Tube I.D. “C”
SG 1-1/2-OD-16	1.750	1.500	1.375
SG 2-OD-16	2.250	2.000	1.875
SG 2-OD-11	2.250	2.000	1.750
SG 2-1/4-OD-16	2.500	2.250	2.125
SG 2-1/2-OD-16	2.750	2.500	2.375
SG 2-1/2-OD-11	2.750	2.500	2.250
SG 3-OD-16	3.250	3.000	2.875
SG 3-OD-11	3.250	3.000	2.750
SG 3-1/2-OD-16	3.750	3.500	3.375
SG 3-1/2-OD-11	3.750	3.500	3.250
SG 4-OD-16	4.250	4.000	3.875
SG 4-OD-11	4.250	4.000	3.750
SG 4-1/2-OD-16	4.750	4.500	4.375
SG 4-1/2-OD-11	4.750	4.500	4.250
SG 5-OD-14	5.250	5.000	4.875
SG 5-OD-11	5.250	5.000	4.750
SG 6-OD-11	6.500	6.000	5.750

CLEAR ACRYLIC INSERTED IN PIPE IN THE FOLLOWING SIZES:

Pipe Sizes with Steel Ends

Part No.	Overall O.D. “A”	Tube O.D. “B”	Tube I.D. “C”
SG 3” - IPS	3.500	3.250	3.000
SG 3-1/2” - IPS	4.000	3.750	3.500
SG 4” - IPS	4.500	4.250	4.000
SG 5” - IPS	5.563	5.250	5.000
SG 6” - IPS	6.625	6.500	6.000

Pipe Sizes with Aluminum Pipe Ends

Part No.	Overall O.D. “A”	Tube O.D. “B”	Tube I.D. “C”
SG 3” - AP	3.500	3.250	3.000
SG 3-1/2” - AP	4.000	3.750	3.500
SG 4” - AP	4.500	4.250	4.000
SG 5” - AP	5.563	5.250	5.000
SG 6” - AP	6.625	6.500	6.000

Prices subject to change without notice.

Pipe Sizes with Steel Ends

Part No.	Overall O.D. “A”	Tube O.D. “B”	Tube I.D. “C”
SG 2” - IPS	2.500	2.375	2.000
SG 2-1/2” - IPS	3.000	2.875	2.500

Pipe Sizes with Aluminum Pipe Ends

Part No.	Overall O.D. “A”	Tube O.D. “B”	Tube I.D. “C”
SG 2” - AP	2.500	2.375	2.000
SG 2-1/2” - AP	3.000	2.875	2.500

Material:

Aluminum Tubing 6061-T6 and 6063-T6
 “Sight Glass” Cast Acrylic Resin
 Steel Pipe Schedule 40
 Aluminum Pipe Schedule 40
 (Available in Schedule 5 and 10)

Prices of special sizes and materials including Pyrex sighting section available on request.

When ordering, please be sure to use the correct part number. Also list tubing or pipe O.D. and wall thickness.

Prices of special sizes and materials available on request.

Morris Gaylord Vacuum Wands

Unloading powders or pellets made easy with Morris Coupling's line of Gaylord Vacuum Wands. Seven models available in aluminum (standard), carbon steel, stainless steel and plastic (shock-free). Available in diameters ranging from 1-1/2" to 4" and lengths 48" to 54".

Morris Basic, Standard, Deluxe and Dissipator series of Gaylord Wands offer the user a variety of options including air adjusting, "stay" clip, handle and filtering screens.



Basic Model – Aluminum Construction

Includes six air register holes and stand off loop at bottom.

Standard Length			Extended Length		
Diameter	Part No.	Length	Diameter	Part No.	Length
1-1/2	GBA 15U	48"	1-1/2	GBA 15UL	54"
2	GBA 20U	48"	2	GBA 20UL	54"
2-1/2	GBA 25U	48"	2-1/2	GBA 25UL	54"
3	GBA 30U	48"	3	GBA 30UL	54"
4	GBA 40U	48"	4	GBA 40UL	54"



Standard Model – Aluminum Construction

Includes adjustable air register ring and stand off loop at bottom.

Standard Length			Extended Length		
Diameter	Part No.	Length	Diameter	Part No.	Length
1-1/2	GSA 15U	48"	1-1/2	GSA 15UL	54"
2	GSA 20U	48"	2	GSA 20UL	54"
2-1/2	GSA 25U	48"	2-1/2	GSA 25UL	54"
3	GSA 30U	48"	3	GSA 30UL	54"
4	GSA 40U	48"	4	GSA 40UL	54"



Deluxe Model – Aluminum Construction

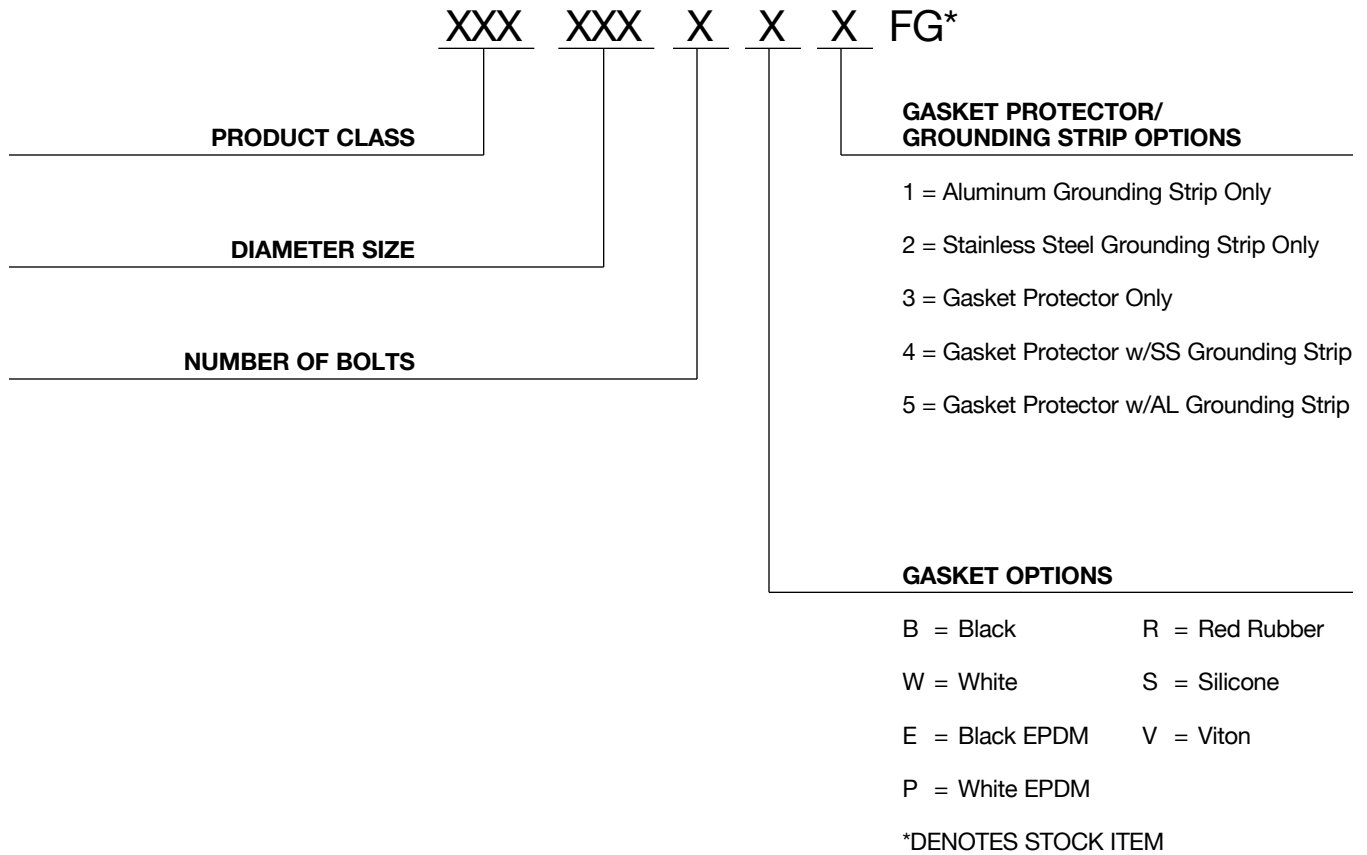
Includes adjustable air register ring, stand off loop, operator handle and Ever-Tite® cam and groove coupling.

Standard Length			Extended Length		
Diameter	Part No.	Length	Diameter	Part No.	Length
1-1/2	GDA 15U	48"	1-1/2	GDA 15UL	54"
2	GDA 20U	48"	2	GDA 20UL	54"
2-1/2	GDA 25U	48"	2-1/2	GDA 25UL	54"
3	GDA 30U	48"	3	GDA 30UL	54"
4	GDA 40U	48"	4	GDA 40UL	54"

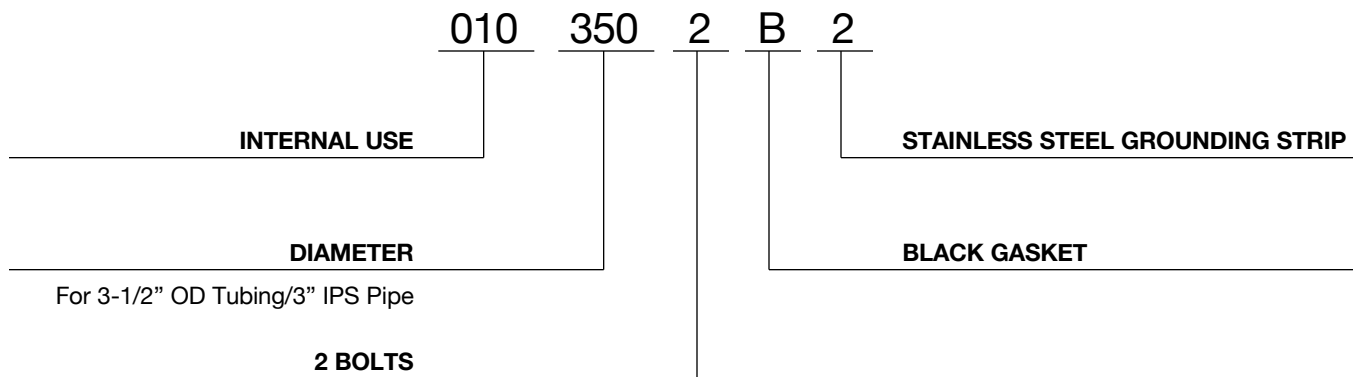
Morris Coupling Nomenclature

If You Prefer To Use Our Computer PIC Number Designation

WHEN ORDERING



EXAMPLE



Morris Coupling Company
***YOUR QUALITY
CONNECTION***

