



HOT OIL FLOWMETERS



General Description

Smartflow® hot oil flowmeters are durable, vane-operated devices that provide visual indication of flow rate in gallons per minute. The indicator ball is separated from the process by a high temperature gasket and stainless steel plate. A glass window retains the indicator ball. This flowmeter is designed specifically for hot oil circulating loops in industrial processes.

Features and Benefits

- **Compact size** works well in restricted-space locations.
- **Rugged construction** provides years of dependable service.
- **550°F (288°C) Temperature Rating** allows installation into hot oil applications.
- **Economical** for use in many locations throughout the plant.
- **Line mounted** for easy installation without extra brackets or hardware.

Model Number

HF8 - A - 40

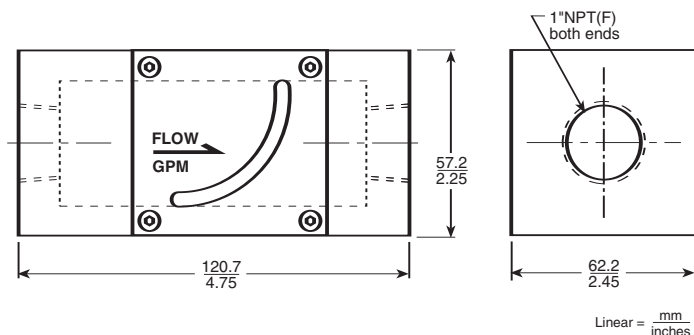
Wetted Parts and Materials

- Inlet Size1"NPT(F)
- BodyCarbon Steel (black oxide finish)
- Viewing WindowGlass
- VaneStainless Steel
- Spring.....Stainless Steel
- Pin.....Stainless Steel
- Gasket.....Non-Asbestos Fiber
- Magnet.....Sintered Alnico 8HE

Specifications

- Operating Temperature550°F max.
(288°C max.)
- Pressure150 psi max.
(10.3 bar max.)
- Accuracy±10%

Dimensions



Design and specifications are subject to change without notice.



151 Memorial Drive, Unit H
 Shrewsbury, MA 01545
 Tel: 888-792-2223, 508-842-1606
 Fax: 508-842-4406 Email: sales@plastixs.com
 Website: www.plastixs.com