

Quick Connect Mold Couplers & Plugs

Standard Brass Water Couplers & Plugs



Features

- **Connect** and disconnect mold cooling lines **quickly and easily**
- Ideal for **quick mold and die changes** - no tools required
- **Straight, 45 and 90 degree** with standard or Push-Lok hose barbs
- **Plugs 1/4" through 1/2" body sizes** with male or female NPT
- Non-valved flow-thru, or 1-way and 2-way valved **shut-off designs**
- **Rugged solid brass** construction with **replaceable silicone seals**
- Maximum working pressure 200 psi, **temperatures up to 400°F**
- **Interchangeable** with all Series 200, 300 and 500 connectors

Description

Plastixs Quick Connect Mold Couplers are specially designed for connecting coolant lines to molds and dies on injection molding machinery. Couplers are available with or without shut-off valves, and with standard or push-lok hose barbs. A non-valved flow-thru style coupler used with a non-valved flow-thru plug allows for maximum unrestricted flow. If loss of fluid in the mold or die when the coupler is disconnected is of prime concern, a valved coupler with a valved plug is recommended. For increased flow, a 1-way valved coupler can be used with either a valved or non-valved plug. Plastixs Quick Connect Mold Couplers are ideal for quick mold and dies changes.

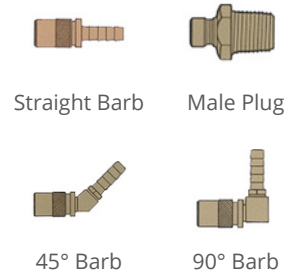
Contact Us for Sizes & Styles Not on our Website

Not all of our sizes and styles are available for purchase through our website so contact us regarding other sizes and styles. Email us at sales@plastixs.com or call 888-792-2223.



Making the right connection is easy.

- Step 1: Select series size 200 (1/4"), 300 (3/8"), 500 (1/2")
- Step 2: Select Hose ID size
- Step 3: Select angle style (Straight, 90°, 45°)
- Step 4: Select valve style (flow-thru, 1-way shut-off, 2-way shut-off)
- Step 5: Select standard or push-lok barb
- Step 6: Select a compatible (male) plug (if valved shut-off plugs style SV are used, only 2-way valved couplers style SV or SVP can be used)



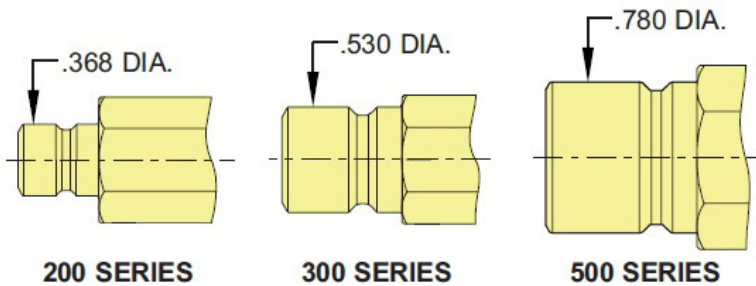
Step 1	Step 2	Step 3	Step 4						Step 6	
Series 200 (1/4") Body Size	Use with Hose ID	Angle	Non-Valved Flow-Thru Coupler Part No.		Valved 1-Way Shut-Off Coupler Part No.		Valved 2-Way Shut-Off Coupler Part No.		Non- valved Flow-thru Male Plug Part No.	Valved Shut-off Male Plug Part No.
			Step 5							
			Standard	Push-Lok	Standard	Push-Lok	Standard	Push-Lok		
	1/4"	Straight	M-204	M-204P	M-204V	M-204VP	M-204SV	M-204SVP	M-250	
	1/4"	90°	M-214	M-214P	M-214V	M-214VP	M-214SV	M-214SVP	M-251	
	1/4"	45°	M-224	M-224P	M-224V	M-224VP	M-224SV	M-224SVP	M-252	M-252SV
	3/8"	Straight	M-206	M-206P	M-206V	M-206VP	M-206SV	M-206SVP	M-253	M-253SV
	3/8"	90°	M-216	M-216P	M-216V	M-216VP	M-216SV	M-216SVP		
	3/8"	45°	M-226	M-226P	M-226V	M-226VP	M-226SV	M-226SVP		
Series 300 (3/8") Body Size	3/8"	Straight	M-306	M-306P	M-306V	M-306VP	M-306SV	M-306SVP		
	3/8"	90°	M-316	M-316P	M-316V	M-316VP	M-316SV	M-316SVP	M-352	M-352SV
	3/8"	45°	M-326	M-326P	M-326V	M-326VP	M-326SV	M-326SVP	M-353	M-353SV
	1/2"	Straight	M-308	M-308P	M-308V	M-308VP	M-308SV	M-308SVP	M-354	M-354SV
	1/2"	90°	M-318	M-318P	M-318V	M-318VP	M-318SV	M-318SVP		
	1/2"	45°	M-328	M-328P	M-328V	M-328VP	M-328SV	M-328SVP		
Series 500 (1/2") Body Size	1/2"	Straight	M-504	M-504P	M-504V	M-504VP	M-504SV	M-504SVP		
	1/2"	90°	M-514	M-514P	M-514V	M-514VP	M-514SV	M-514SVP	M-553	M-553SV
	1/2"	45°	M-524	M-524P	M-524V	M-524VP	M-524SV	M-524SVP	M-554	M-554SV
	3/4"	Straight	M-506	M-506P	M-506V	M-506VP	M-506SV	M-506SVP	M-556	
	3/4"	90°	M-516	M-516P	M-516V	M-516VP	M-516SV	M-516SVP		
	3/4"	45°	M-526	M-526P	M-526V	M-526VP	M-526SV	M-526SVP		

Adapter Sockets	Hose ID	NPT (F)	NPT (F)	NPT (F)
Series 200	1/8"	M-200	M-200V	M-200SV
Series 300	1/4"	M-300	M-300V	M-300SV
Series 500	1/2"	M-500	M-500V	M-500SV

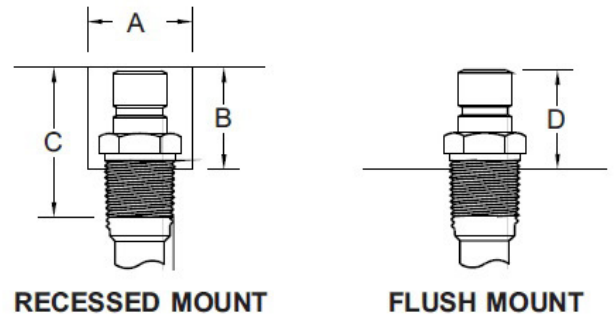
Contact sales@plastixs.com or call 888-792-2223 for sizes and styles that are not on our website, but available for purchase.


Quick Connect Mold Plugs


200/300/500 Series • Standard Brass




DIMENSION INFORMATION DRAWINGS



200 Series	Item#	Thread Size	Minimum Plug ID	Dimension Information			
				A	B	C	D
	M-250	1/16" NPT	3/16"	11/16"	11/16"	1"	5/8"
	M-251	1/8" NPT	1/4"	11/16"	11/16"	1"	5/8"
	M-252	1/4" NPT	1/4"	27/32"	15/16"	1-3/16"	7/8"
	M-253	3/8" NPT	1/4"	1"	15/16"	1-1/4"	29/32"

300 Series	Item#	Thread Size	Minimum Plug ID	Dimension Information			
				A	B	C	D
	M-352	1/4" NPT	3/8"	1"	1-3/32"	1-7/16"	1-1/32"
	M-353	3/8" NPT	3/8"	1"	1-1/8"	1-7/16"	1-1/16"
	M-354	1/2" NPT	3/8"	1-3/16"	1-1/4"	1-9/16"	1-3/16"

500 Series	Item#	Thread Size	Minimum Plug ID	Dimension Information			
				A	B	C	D
	M-553	3/8" NPT	.484"	1-3/16"	1-1/4"	1-9/16"	1-3/16"
	M-554	1/2" NPT	5/8"	1-1/4"	1-1/2"	1-11/16"	1-1/2"
	M-556	3/4" NPT	5/8"	1-1/2"	1-9/16"	1-3/4"	1-9/16"

Contact sales@plastixs.com for more information.

