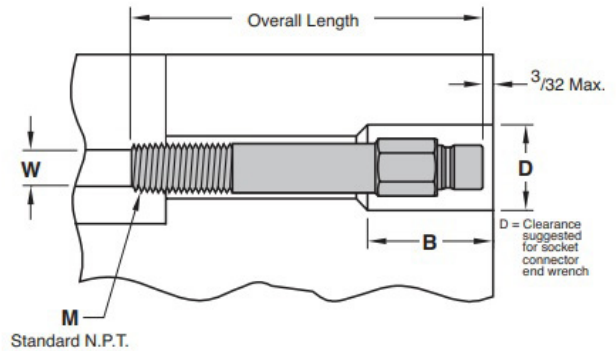
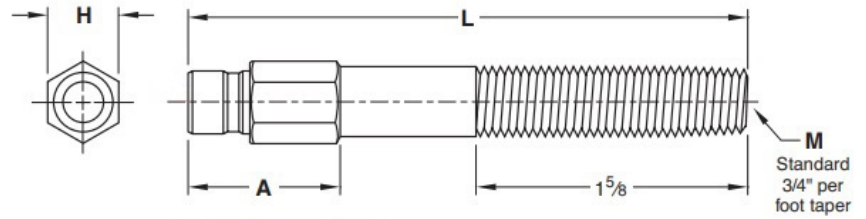
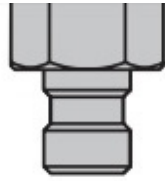


### Quick Connect Mold Extension Plugs - 200 Series



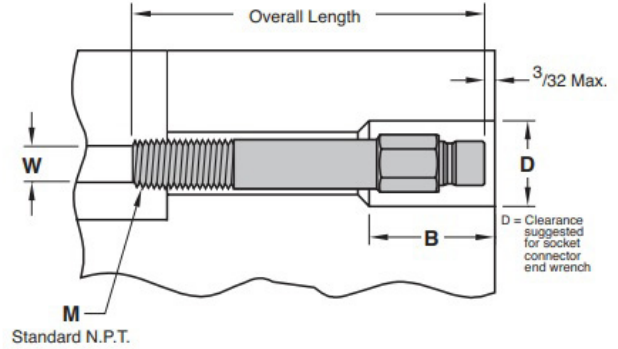
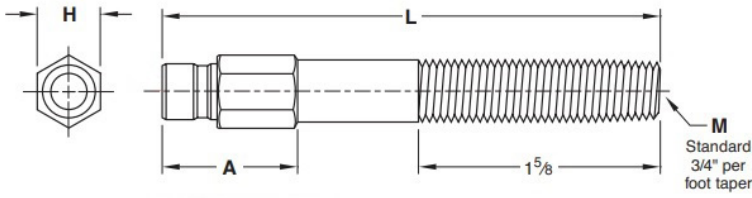
#### 200 Series 1/4" Hole



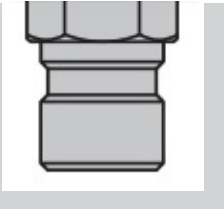
Item#	L Length	M NPT	H Hex Size	A	B	D	W
M-250X2.5	2.5	1/16	.37	.68	1.00	.75	1/4
M-250X4	4.0	1/16	.37	.81	1.00	.75	1/4
M-250X5.5	5.5	1/16	.37	.81	1.00	.75	1/4
M-250X7	7.0	1/16	.37	.81	1.00	.75	1/4
Item#	L Length	M NPT	H Hex Size	A	B	D	W
M-251X2.5	2.5	1/8	.43	.68	1.25	.87	5/16
M-251X4	4.0	1/8	.43	1.00	1.25	.87	5/16
M-251X5.5	5.5	1/8	.43	1.00	1.25	.87	5/16
M-251X7	7.0	1/8	.43	1.00	1.25	.87	5/16
Item#	L Length	M NPT	H Hex Size	A	B	D	W
M-252X2.5	2.5	1/4	.56	.87	1.50	1.00	7/16
M-252X4	4.0	1/4	.56	1.25	1.50	1.00	7/16
M-252X5.5	5.5	1/4	.56	1.25	1.50	1.00	7/16
M-252X7	7.0	1/4	.56	1.25	1.50	1.00	7/16
Item#	L Length	M NPT	H Hex Size	A	B	D	W
M-253X2.5	2.5	3/8	.68	1.00	1.50	1.12	9/16
M-253X4	4.0	3/8	.68	1.25	1.50	1.12	9/16
M-253X5.5	5.5	3/8	.68	1.25	1.50	1.12	9/16
M-253X7	7.0	3/8	.68	1.25	1.50	1.12	9/16



### Quick Connect Mold Extension Plugs - 300 Series



**300  
Series  
3/8" Hole**



Item#	L Length	M NPT	H Hex Size	A	B	D	W
M-350X2.5	2.5	1/16	.56	.87	1.25	1.00	1/4
M-350X4	4.0	1/16	.56	1.00	1.25	1.00	1/4
M-350X5.5	5.5	1/16	.56	1.00	1.25	1.00	1/4
M-350X7	7.0	1/16	.56	1.00	1.25	1.00	1/4

Item#	L Length	M NPT	H Hex Size	A	B	D	W
M-351X2.5	2.5	1/8	.56	.87	1.25	1.00	5/16
M-351X4	4.0	1/8	.56	1.00	1.25	1.00	5/16
M-351X5.5	5.5	1/8	.56	1.00	1.25	1.00	5/16
M-351X7	7.0	1/8	.56	1.00	1.25	1.00	5/16

Item#	L Length	M NPT	H Hex Size	A	B	D	W
M-352X2.5	2.5	1/4	.56	.87	1.50	1.00	7/16
M-352X4	4.0	1/4	.56	1.25	1.50	1.00	7/16
M-352X5.5	5.5	1/4	.56	1.25	1.50	1.00	7/16
M-352X7	7.0	1/4	.56	1.25	1.50	1.00	7/16

Item#	L Length	M NPT	H Hex Size	A	B	D	W
M-353X2.5	2.5	3/8	.68	1.00	1.50	1.12	9/16
M-353X4	4.0	3/8	.68	1.25	1.50	1.12	9/16
M-353X5.5	5.5	3/8	.68	1.25	1.50	1.12	9/16
M-353X7	7.0	3/8	.68	1.25	1.50	1.12	9/16

Item#	L Length	M NPT	H Hex Size	A	B	D	W
M-354X2.5	2.5	1/2	.87	1.12	1.75	1.50	11/16
M-354X4	4.0	1/2	.87	1.50	1.75	1.50	11/16
M-354X5.5	5.5	1/2	.87	1.50	1.75	1.50	11/16
M-354X7	7.0	1/2	.87	1.50	1.75	1.50	11/16

