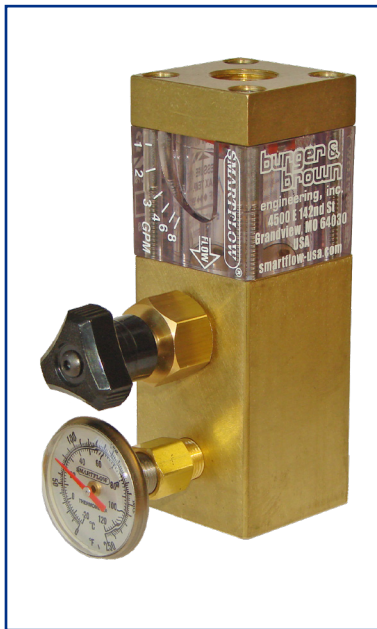


# SMARTFLOW® Brass Flow Regulators



## General Description

Smartflow flow regulators provide a unique, leak-free, single-point manual flow control. This regulator incorporates the proven mechanical flowmeter and integral needle valve in a compact design. Very few moving parts improve reliability and leak-free operation.

Used singly or in combination with a water manifold, the flow regulator allows manual control of individual cooling water lines.

## Features and Benefits

- ◆ Compact size works well in restricted-space locations.
- ◆ Rugged construction provides years of dependable service.
- ◆ 210°F (99°C) Temperature Rating allows installation into a wide range of applications.
- ◆ Optional Temperature Gauge displays additional process information.
- ◆ No Mounting Restrictions ease installation in any position without extra brackets or hardware.

## Model Number

### FR3 - B - 25

Inlet Size	Model	Flow Range
1/4"NPT	FR2	15 0.2 - 1.5 gpm (gallons per minute)
1/4"BSPP	FR2B	
3/8"NPT	FR3	25 0.5 - 2.5 gpm
3/8"BSPP	FR3B	
1/2"NPT	FR4	80 1 - 8 gpm
1/2"BSPP	FR4B	100 2 - 10 lpm (liters per min.)
		200 5 - 20 lpm
		300 4 - 30 lpm

## Accessories

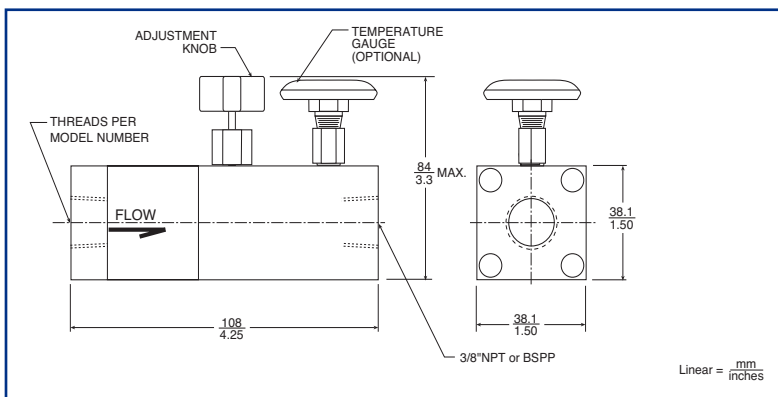
- A** Flow regulator only
- B** Thermometer
- E** Thermometer with quick-connect socket and plug (NPT only)

## Wetted Parts and Materials

Flow Out Thread Size.....	3/8"NPT or BSPP
End Caps & Regulator Body.....	Brass
Valve Stem & Seat.....	Brass
Flow Body.....	Polysulfone
Vane .....	Nylon
Spring .....	Stainless Steel
O-Rings .....	EPDM
Cap Screws .....	Stainless Steel
Optional Quick-Connect Fittings.....	Brass

## Specifications

Flow Accuracy .....	±10% full scale
Operating Temperature max.....	210°F (99°C)
Operating Pressure max.....	100 psi (6.9 bar)
Dial Thermometer.....	0 to 250°F (-20° to 120°C)
	±2% accuracy (full scale)

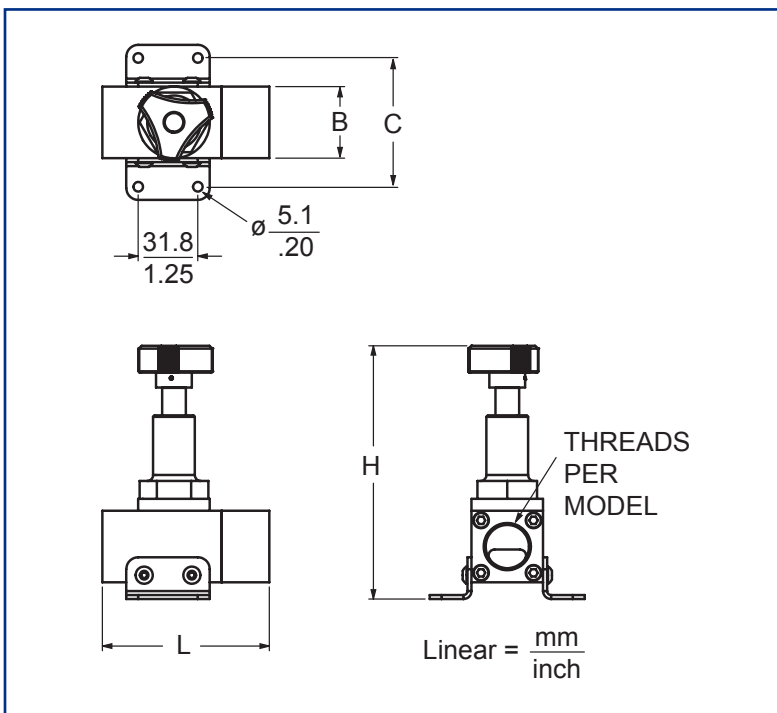


# SMARTFLOW<sup>®</sup> 3/4" & 1" Brass Flow Regulators



**3/4" or 1" Mechanical Flowmeters or Tracer<sup>®</sup> Electronic Flowmeters may be attached to this flow regulator for added functionality.**

**Contact Customer Service for details.**



## General Description

The large size of this flow regulator is unique in the industry for precise control of 3/4" or 1" cooling water lines. Brass body, valve stem and seat with EPDM o-rings are compatible with most process liquids. The 3/4" flow regulator can be used in combination with a mechanical IceCube™ flow body to add 8 gpm or 30 lpm flow indication. Additional IceCube™ flow body is not available for use with 1" flow regulator.

Mounting Brackets are included for mechanical support.

## Wetted Parts and Materials

Body ..... Brass  
Valve Stem & Seat..... Brass  
O-Rings ..... EPDM  
Mounting Brackets..... Powder Coated Steel

## Optional Flow Indicator Parts (3/4" only)

Flow Body..... Polysulfone Vane ..... Nylon  
Spring ..... Stainless Steel

## Specifications

Thread Size ..... 3/4" or 1" NPT(F)  
Operating Temperature max..... 240°F (115°C)  
Operating Pressure max..... 150 psi (10.3 bar)

## Model Number

**FR6-A**..... 3/4"NPT, no flow indicato

**FR8-A**..... 1"NPT, no flow indicato

**FR6-A-80** ..... with 1-8 gpm flow indicato

**FR6-A-300** ... with 4-30 lpm flow indicato

## Dimensions (mm/inches)

Model	FR6-A	FR6-A-XX	FR8-A
<b>B</b>	$\frac{38.1}{1.5}$	$\frac{38.1}{1.5}$	$\frac{44.5}{1.75}$
<b>C</b>	$\frac{68.6}{2.7}$	$\frac{68.6}{2.7}$	$\frac{74.9}{2.95}$
<b>H</b>	$\frac{134.9}{5.31}$	$\frac{134.9}{5.31}$	$\frac{146.3}{5.76}$
<b>L</b>	$\frac{88.9}{3.5}$	$\frac{120.7}{4.75}$	$\frac{101.6}{4.0}$