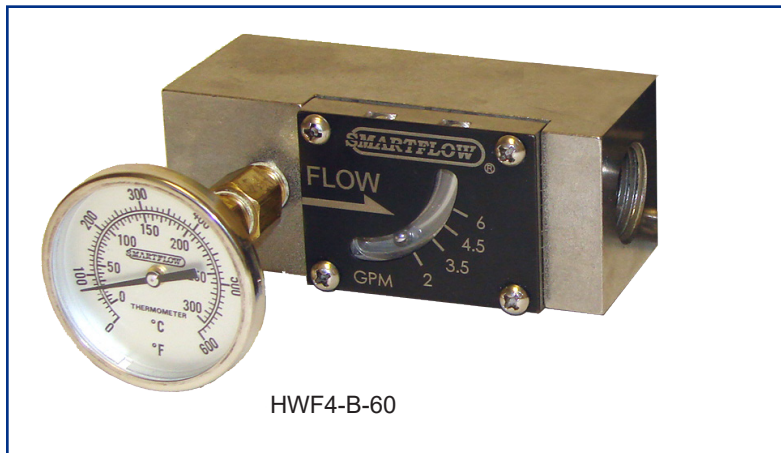


1/2" Pressurized Hot Water Flowmeter



HWF4-B-60

General Description

Smartflow Hot Water Flowmeters are durable, vane-operated devices that provide visual indication of flow rate in gallons or liters per minute. The robust flow body is machined from solid stainless steel material with 1/2"NPT or 1/2"BSPP threaded connection. The indicator ball is separated from the process by a high pressure silicone gasket and stainless steel plate. High temperature glass retains the indicator ball. This flowmeter is designed specifically for high temperature pressurized water circulating loops.

Features and Benefits

- ◆ Compact size works well in restricted-space locations.
- ◆ Rugged construction provides years of dependable service.
- ◆ Optional Temperature Gauge provides added function.
- ◆ 400°F (204°C) Temperature Rating allows installation into high temperature applications.
- ◆ 250psi (17.2bar) Pressure Rating satisfies most pressurized water system requirements.
- ◆ Economical for use in many locations throughout the plant.
- ◆ Line mounted for easy installation without extra brackets or hardware.

Model Numbers

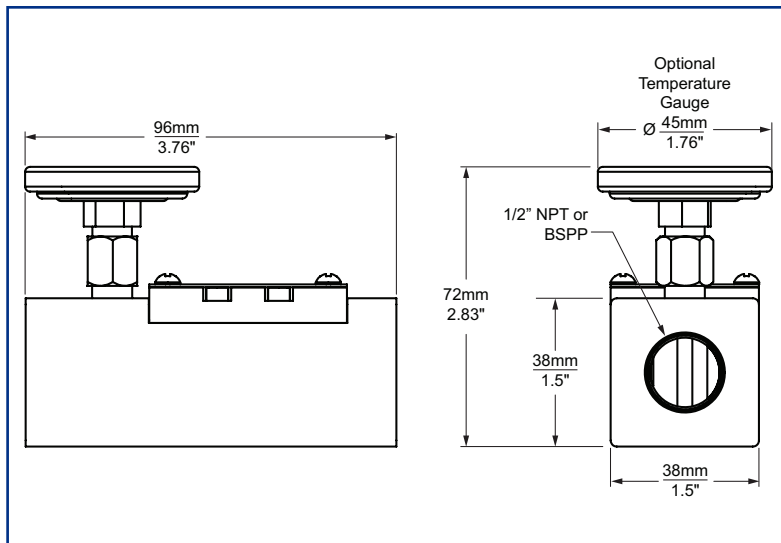
Model No.	Temp. Gauge	Inlet Size	Flow Range
HWF4-A-60	no	1/2"NPT	2-6 gpm
HWF4B-A-220	no	1/2"BSPP	5-22 lpm
HWF4-B-60	yes	1/2"NPT	2-6 gpm
HWF4B-B-220	yes	1/2"BSPP	5-22 lpm

Wetted Parts and Materials

Flow Body..... Stainless Steel
Viewing Window High Temperature Glass
Vane. Stainless Steel
Spring Stainless Steel
Pin Stainless Steel
Gasket Silicone
Magnet..... Sintered Alnico 8HE

Specifications

Threaded Connections 1/2"NPT or BSPP
Operating Temperature max..... 400°F (204°C)
Operating Pressure max..... 250 psi (17.2 bar)
Flow Range 2-6 gpm or 5-22 lpm
Flow Accuracy ±10%



Design and specifications are subject to change without notice.